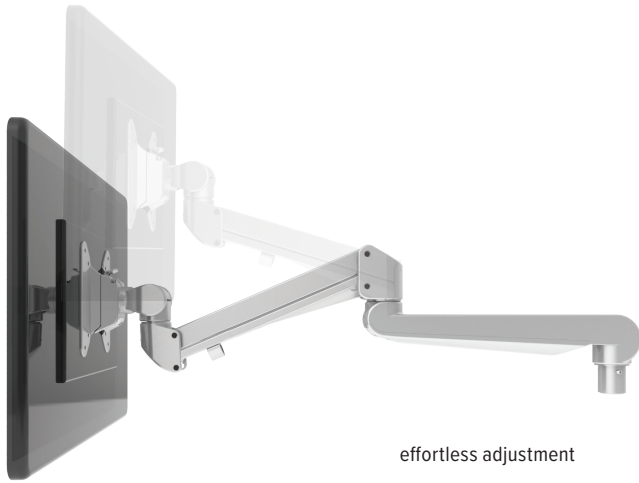


Edge-Max-Dual[®]

heavy duty dual monitor arm

Edge-Max-Dual

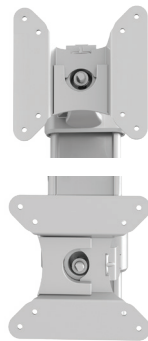
heavy duty dual monitor arm



effortless adjustment



cable management



landscape/portrait rotation



grommet mount



desk clamp

Product specs

- Finger touch dynamic height adjustment
- Recommended for heavy monitors and all-in-one computers
- 13.5" height adjustment range
 - 9.3"–22.8" (low/high)
- 22.4" arm extension
- 4.5" arm retraction
- +85°/-35° monitor tilt
- ±90° VESA rotation
- 17.6 lbs.–42.0 lbs. weight capacity (*per arm*)
- VESA quick release
- 180° lock-out feature
- 360° rotation at three points
- Exceeds BIFMA x5.5 requirements
- Desk clamp and grommet mount included
- 40.0" max. monitor width (*bezel measured left to right*)
- Warranty: 15 yr.



Model

List price

EDGE-MAX-DUAL-SLV \$1,080



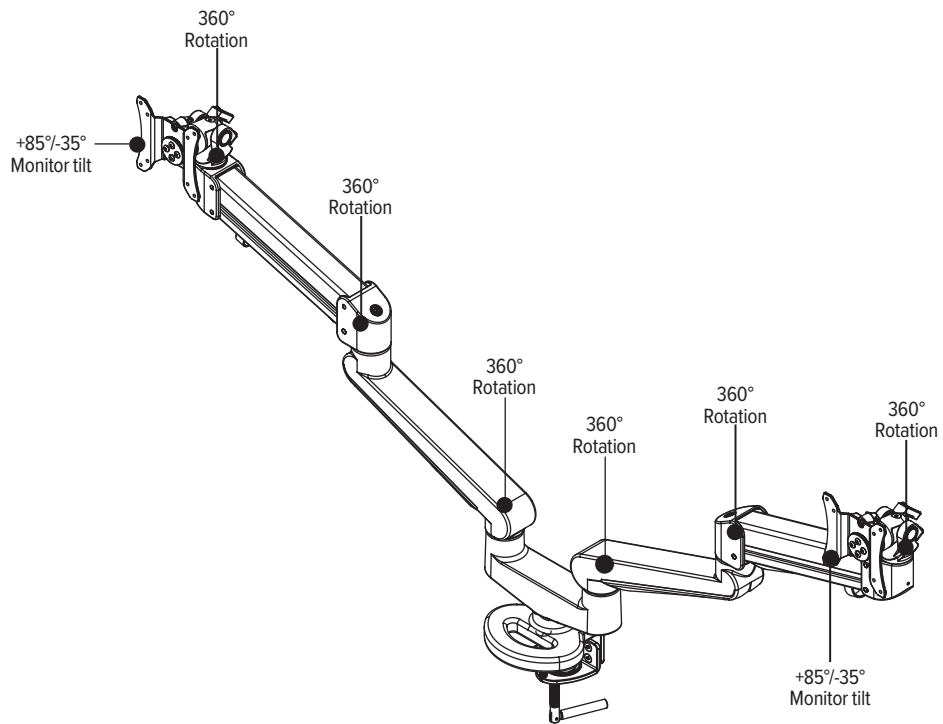
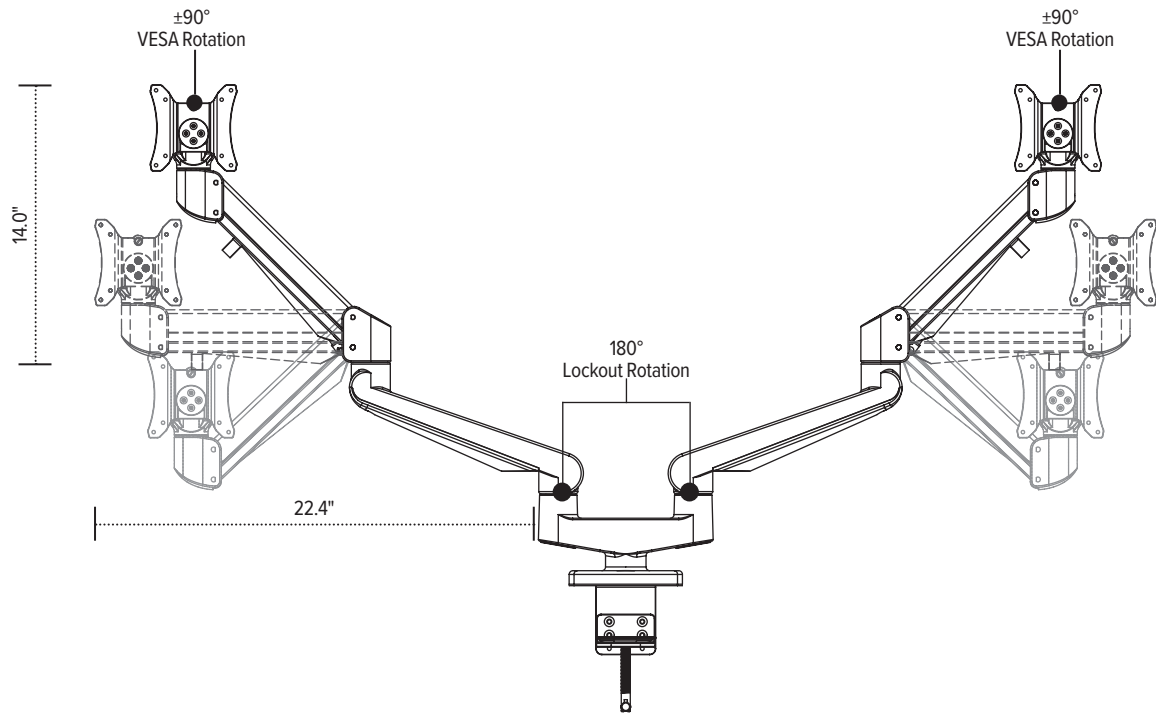
VESA quick release

esi

800.833.3746
esiergo.com

Edge-Max-Dual

heavy dual monitor arm



esi

800.833.3746
esiergo.com