

## PL005

KEYBOARD PLATFORM

Model PL005CC

PL005 Rev A 4/17

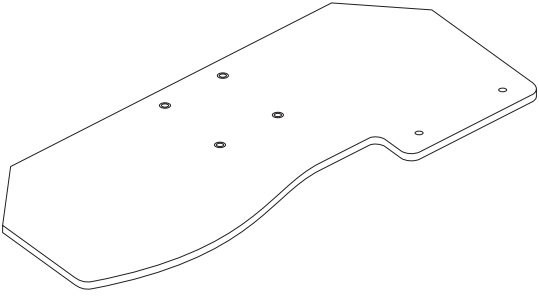
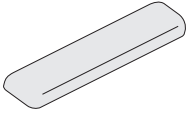
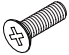

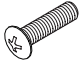
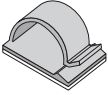


# INSTALLATION AND USE

## PL005 KEYBOARD PLATFORM

**PLEASE REVIEW** these instructions before beginning the installation. Check that all parts needed were provided with your order. Contact your supplier if any parts are missing. Do not discard the packaging until satisfied that the product operates to your satisfaction.

### PARTS PROVIDED

Keyboard Platform (1) 	Palm Rest (1)  <i>Mouse Side Only</i>		
Flathead Screw (4)  #8-32x1/2	Flange Nut (4)  #8x32	Panhead Screw (2)  #8-32x5/8	Cord Clips (2) 

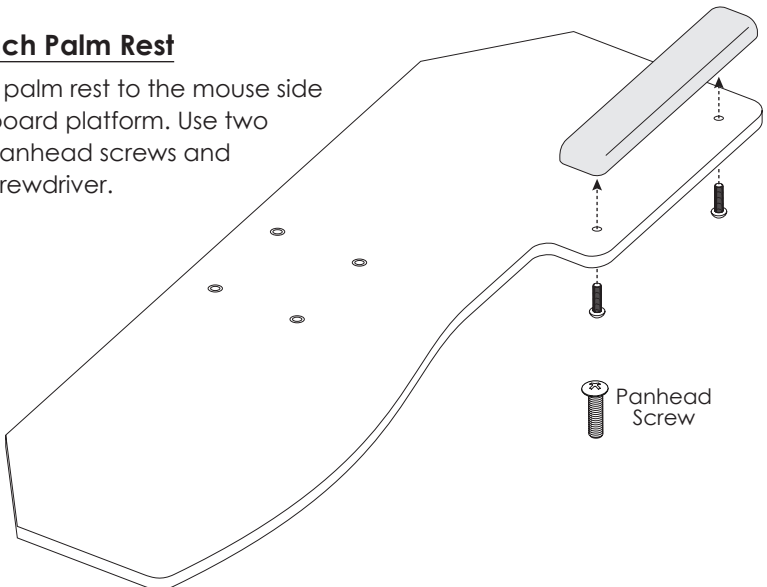
**CAUTION:** Hand-tighten screws only. Do **not** use power tools.

### TOOLS REQUIRED

- Phillips screwdriver

### STEP 1: Attach Palm Rest

- Attach the palm rest to the mouse side of the keyboard platform. Use two #8-32x5/8 panhead screws and a Phillips screwdriver.

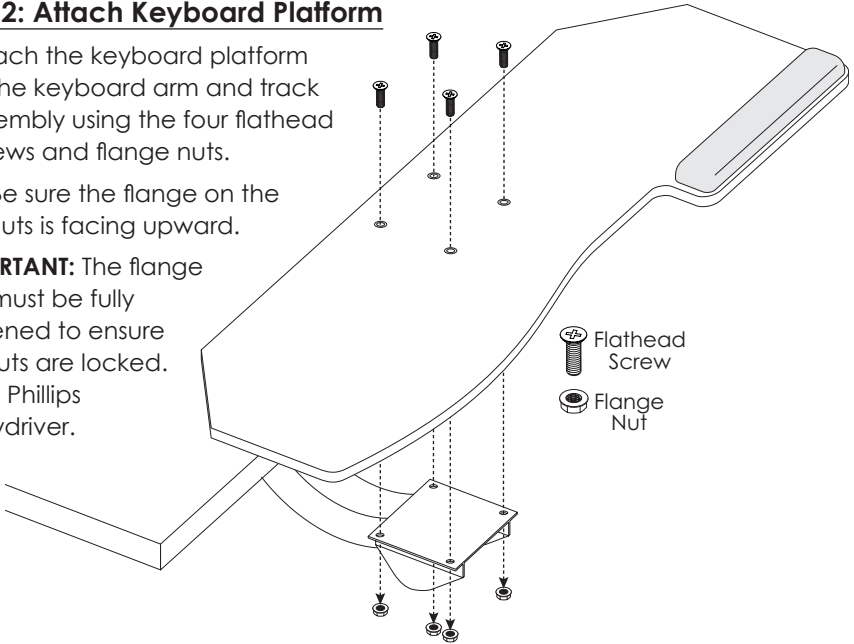


## STEP 2: Attach Keyboard Platform

- Attach the keyboard platform to the keyboard arm and track assembly using the four flathead screws and flange nuts.

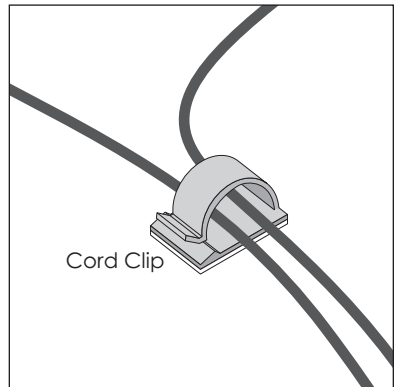
— Be sure the flange on the nuts is facing upward.

**IMPORTANT:** The flange nuts must be fully tightened to ensure the nuts are locked. Use a Phillips screwdriver.



## STEP 3: Manage Cables

- Adhere cord clips to the underside of the keyboard platform as needed to organize the keyboard and mouse cables.



**TO OPERATE THE KEYBOARD ARM,** follow the instructions on the keyboard arm or the instructions included with the installation procedures for the product.



800.833.3746 | [esiergo.com](http://esiergo.com)