



reddot winner 2020

esi®



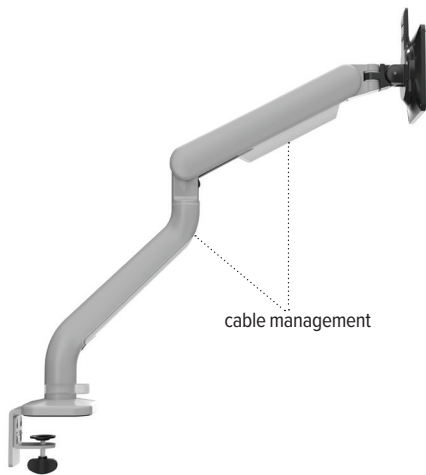
Kata™

Single monitor arm

V35 - Pricing effective 6/1/2021

Kata

Single monitor arm



cable management



tension adjustment



integrated tool storage



grommet mount



clamp mount

Product specs

- Finger touch dynamic height adjustment
- Recommended for worksurfaces 36.0" deep or less
- 14.0" height adjustment range
 - 7.5"–21.5" (low/high)
- 24.6" arm extension
- 5.5" arm retraction
- +90°/-25° monitor tilt
- ±90° VESA rotation
- 4.0 lb.–20.0 lb. weight capacity
- VESA 75mm/100mm quick release
- 180° lock-out feature
- Specify a grommet mount or a desk clamp mount
- Tension adjustment indicator for precision installation
- Capable of portrait and landscape orientation
- Partially assembled for quick installation
- Integrated cord management
- Integrated tool holder within the VESA plate keeping hex keys accessible
- Warranty: 15 yr.
- Designed for ESI by Roger Webb Associates of London

Model

List price

<input type="radio"/> KATA-DC-SLV	\$424
<input checked="" type="radio"/> KATA-DC-BLK	\$424
<input type="radio"/> KATA-DC-WHT	\$424
<input type="radio"/> KATA-GM-SLV	\$424
<input checked="" type="radio"/> KATA-GM-BLK	\$424
<input type="radio"/> KATA-GM-WHT	\$424

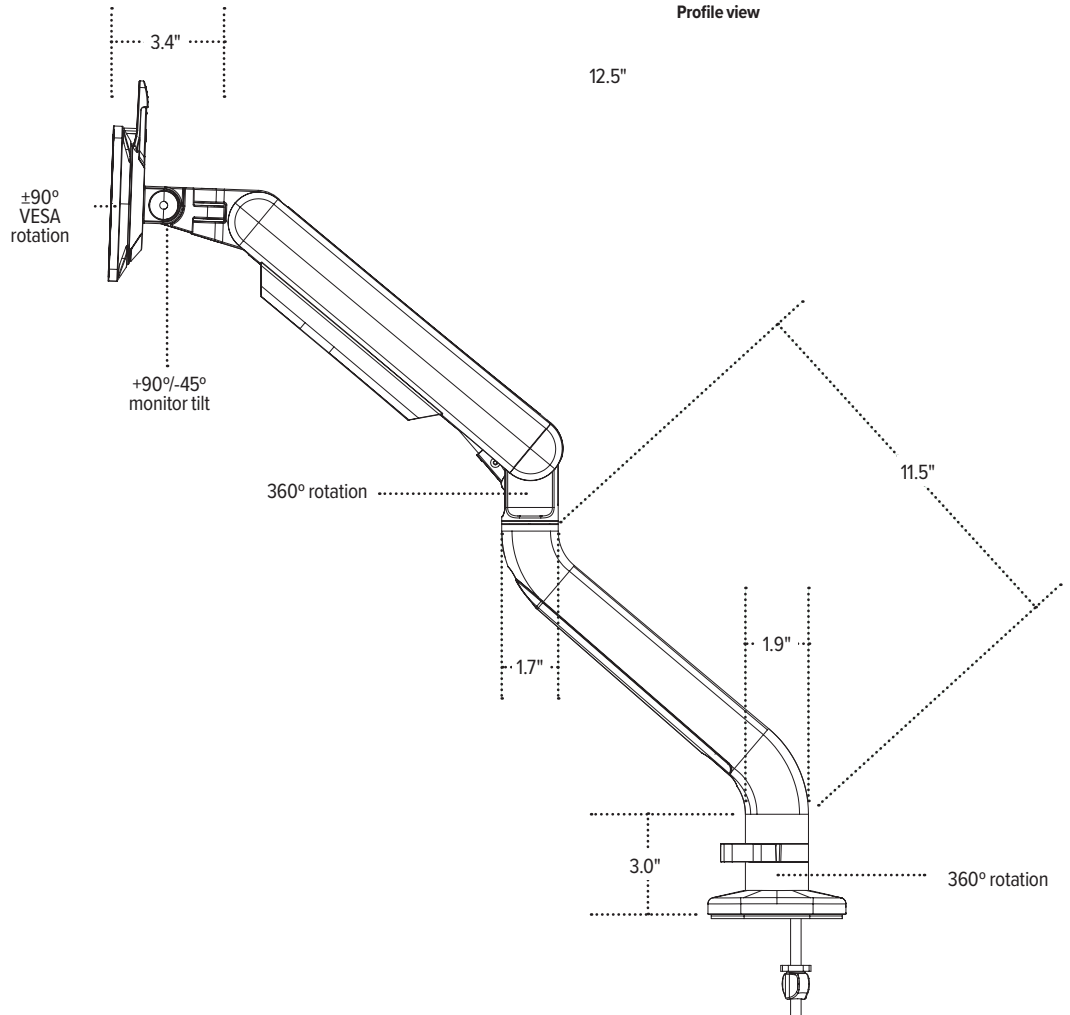
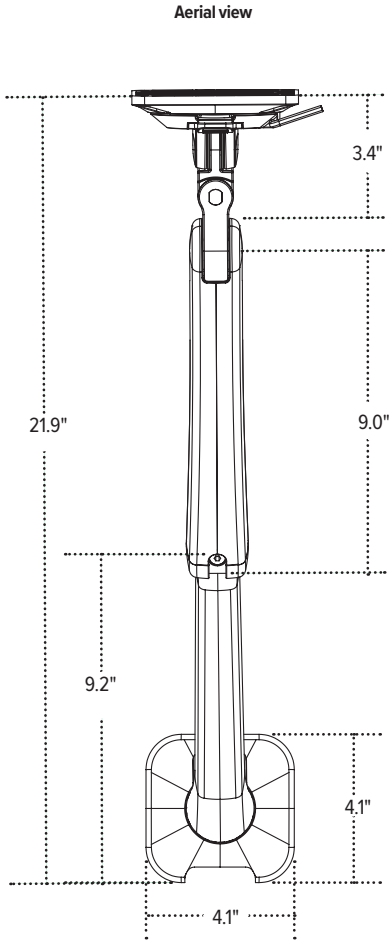
Available mounting options

DC - Desk clamp

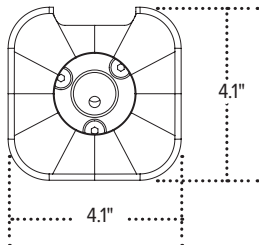
GM - Grommet mount

Kata

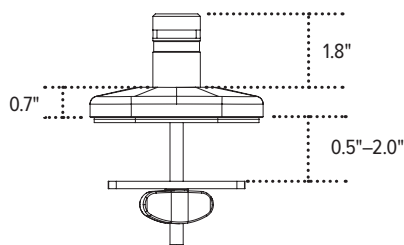
Single monitor arm



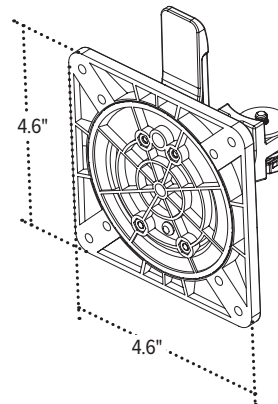
Base (bottom view)



Base (straight on view)



VESA Plate



VESA (profile view)

