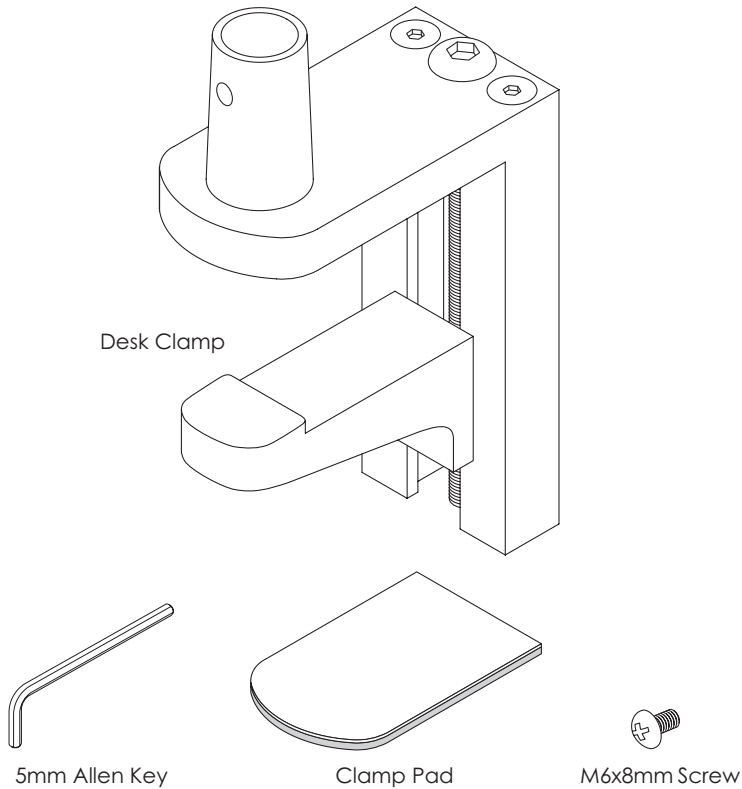


Desk Clamp

for Vivid Desktop Lights

Model DC-V-SLV

DC-V Rev A 4/17



Package Contents: 1 Desk Clamp
1 5mm Allen Key
1 Clamp Pad
1 M6x8mm Screw

INSTALLATION

STEP 1: ATTACH CLAMP PAD

- Peel the adhesive backing from the clamp pad and press it firmly into position on the underside of the top half of the clamp, as shown.

STEP 2: ATTACH CLAMP

- Use the 5mm Allen key to secure the clamp in position.

STEP 3: INSTALL BOTTOM POST ON LAMP

- Insert the bottom post on the lamp into the clamp.

STEP 4: SECURE WITH SCREW

- Install the provided screw and tighten it to secure the lamp.

