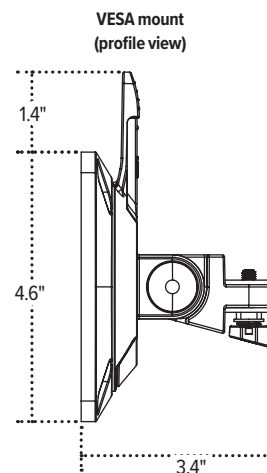
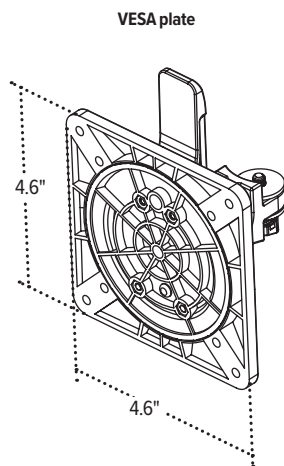
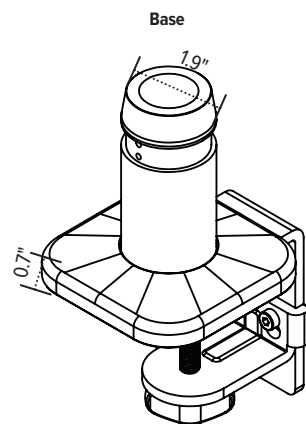
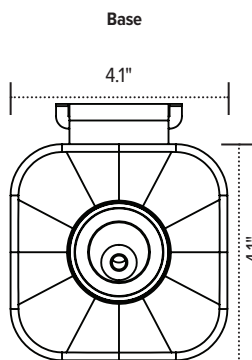
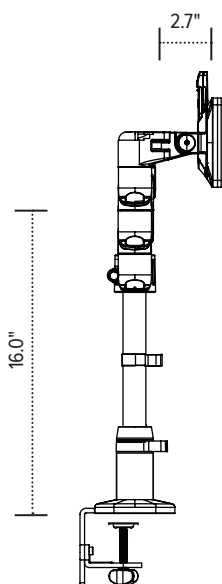
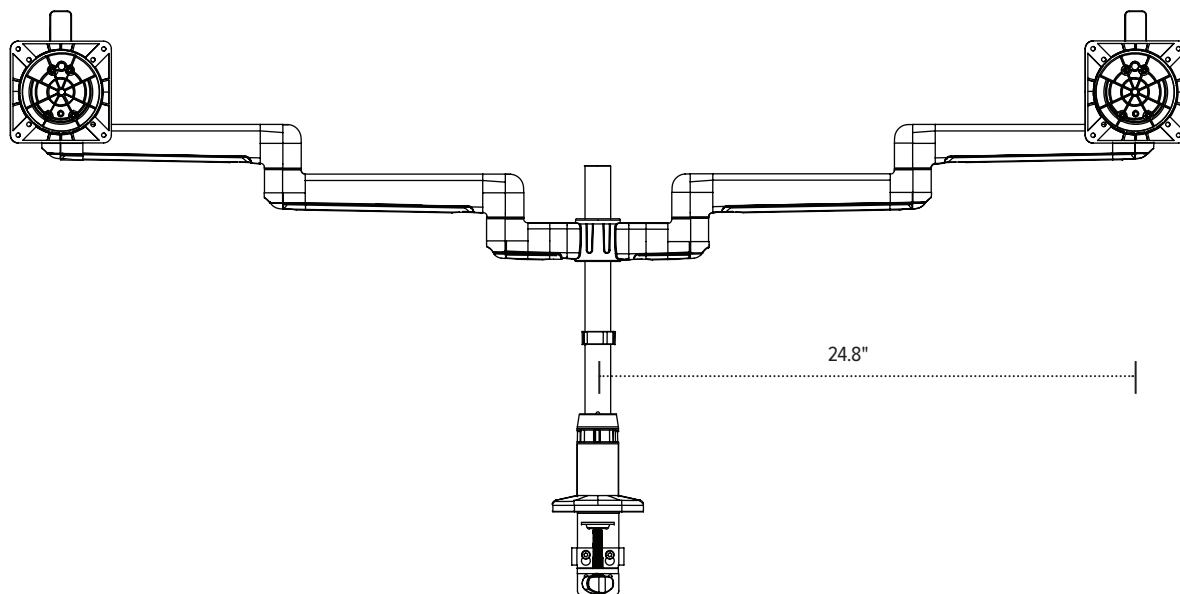


Kata™ EX2-FF

Dual fixed + fixed monitor arm



esi

800.833.3746
esiergo.com