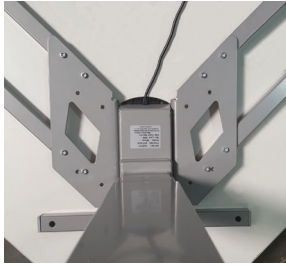


Victory-LX™ 3-Leg

Electric height adjustable table base

Victory-LX 3-Leg

Electric height adjustable table base



universal
corner bracket



drawers easily slide over feet



digital keypad



locking casters

Caster Kit

- Set of casters for table bases
- Increases height by 2.0"
- Locking casters for security

\$103

MODEL # CASTERKIT-LX-3LEG-SLV

MODEL # CASTERKIT-LX-3LEG-BLK

MODEL # CASTERKIT-LX-3LEG-WHT

Product specs

- Electric height adjustment
- 330lbs. base lifting capacity
- 1.4"/sec adjustment speed
- 26.1" height adjustment range
 - 21.6"—47.7" (low/high)
 - (excluding worksurface)
- Three stage adjustable legs
- Adjustable width frame
- Soft start
- Anti-collision safety feature
- Locking casters are available
- Three motors
- ADA compliant
- 105.0" power cord
- Table base is UL962 listed
- Meets or exceeds BIFMA x5.5 requirements
- Meets BIFMA GI-2013 ergonomic standards when used with a 1.0" worksurface
- Works with peds or storage with 20.0" max. height
- Low standby power consumption
- Steel frame and foot construction
- Can be configured for 90° or 120° with a universal bracket
- Digital keypad
- Keypad can slide under worksurface to store out of the way
- Warranty: 15 yr. (structural) / 7 yr. (mechanical)

Available base finishes

- Silver -SLV
- Black -BLK
- White -WHT

esi

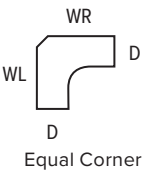
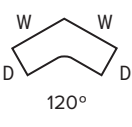
800.833.3746
esiergo.com

Victory-LX 3-Leg

Electric height adjustable table base

Table bases

Available worksurfaces

| Table base model | List price | Worksurface shape | Worksurface dimension | TFL Quick ship | TFL Standard | HPL Standard |
|---------------------|------------|---|-----------------------|----------------|-----------------------------|-----------------------------|
| 3VT-LX-C3636-24-___ | \$1,610 |  Equal Corner | 42"wl x 42"wr x 24"d | – | 2EC424224-TFL-__ \$660 | 2EC424224-HPL-__ \$726 |
| 3VT-LX-C4848-24-___ | \$1,610 | | 48"wl x 48"wr x 24"d | – | 2EC484824-TFL-__ \$670 | 2EC484824-HPL-__ \$737 |
| 3VT-LX-C4848-30-___ | \$1,610 | | 60"wl x 60"wr x 24"d | – | 3EC606024-TFL-__ \$980 | 3EC606024-HPL-__ \$1,078 |
| 3VT-LX-C4848-30-___ | \$1,610 | | 60"wl x 60"wr x 30"d | – | 3EC606030-TFL-__ \$1,000 | 3EC606030-HPL-__ \$1,100 |
| Table base model | List price | Worksurface shape | Worksurface dimension | TFL Quick ship | TFL Standard | HPL Standard |
| 3VT-LX-C3636-24-___ | \$1,610 |  120° | 48"w x 24"d | – | 120-4824-TFL-__ \$815 | 120-4824-HPL-__ \$1,141 |
| 3VT-LX-C4848-24-___ | \$1,610 | | 60"w x 24"d | – | – | 120-6024-HPL-__ \$1,605 |
| 3VT-LX-C3636-30-___ | \$1,610 | | 72"w x 24"d | – | – | 120-7224-HPL-__ \$1,800 |
| 3VT-LX-C3636-30-___ | \$1,610 | | 48"w x 30"d | – | – | 120-4830-HPL-__ \$1,295 |
| 3VT-LX-C4848-30-___ | \$1,610 | | 60"w x 30"d | – | – | 120-6030-HPL-__ \$1,625 |
| | | | 72"w x 30"d | – | – | 120-7230-HPL-__ \$1,825 |

Worksurface Program

Multiple worksurface shapes and laminates are available. See the Complete Table & Worksurface Ordering Guide for worksurface details including pricing and laminate colors. TFL Quick ship worksurfaces are shipped out in 48 hours, TFL and HPL Standard worksurfaces ship in 2–3 weeks.

Table bases and worksurfaces can be purchased independently or as a combination.

ESI table bases and worksurfaces are made to exact dimensions. If nominal sizing is needed, please specify when ordering.

esi

800.833.3746
esiergo.com

Victory-LX 3-Leg

Electric height adjustable table base

Table bases

Available worksurfaces

| Table base model | List price | Worksurface shape | Worksurface dimension | TFL Quick ship | TFL Standard | HPL Standard |
|---------------------|------------|----------------------------|-----------------------|----------------|------------------------------|------------------------------|
| 3VT-LX-C4836-24-___ | \$1,610 | <p>Offset Corner Leftt</p> | 60"wr x 48"wl x 24"d | - | 3OCL604824-TFL-__ \$875 | 3OCL604824-HPL-__ \$963 |
| | | | 72"wl x 48"wr x 24"d | - | 3OCL724824-TFL-__ \$955 | 3OCL724824-HPL-__ \$1,051 |
| | | | 72"wl x 60"wr x 24"d | - | 3OCL726024-TFL-__ \$1,090 | 3OCL726024-HPL-__ \$1,199 |
| 3VT-LX-C4848-24-___ | \$1,610 | | 84"wl x 48"wr x 24"d | - | 3OCL844824-TFL-__ \$1,125 | 3OCL844824-HPL-__ \$1,300 |
| | | | 84"wl x 60"wr x 24"d | - | - | 3OCL846024-HPL-__ \$1,400 |
| | | | 60"wl x 48"wr x 30"d | - | 3OCL604830-TFL-__ \$890 | 3OCL604830-HPL-__ \$979 |
| 3VT-LX-C4836-30-___ | \$1,610 | | 72"wl x 48"wr x 30"d | - | 3OCL724830-TFL-__ \$965 | 3OCL724830-HPL-__ \$1,062 |
| | | | 72"wl x 60"wr x 30"d | - | 3OCL726030-TFL-__ \$1,110 | 3OCL726030-HPL-__ \$1,250 |
| | | | 84"wl x 48"wr x 30"d | - | - | 3OCL844830-HPL-__ \$1,320 |
| 3VT-LX-C4848-30-___ | \$1,610 | 84"wl x 60"wr x 30"d | - | - | 3OCL846030-HPL-__ \$1,420 | |

| Table base model | List price | Worksurface shape | Worksurface dimension | TFL Quick ship | TFL Standard | HPL Standard |
|---------------------|------------|----------------------------|-----------------------|----------------|------------------------------|------------------------------|
| 3VT-LX-C4836-24-___ | \$1,610 | <p>Offset Corner Right</p> | 48"wl x 60"wr x 24"d | - | 3OCR486024-TFL-__ \$875 | 3OCR486024-HPL-__ \$963 |
| | | | 48"wl x 72"wr x 24"d | - | 3OCR487224-TFL-__ \$955 | 3OCR487224-HPL-__ \$1,051 |
| | | | 48"wl x 84"wr x 24"d | - | 3OCR607224-TFL-__ \$1,090 | 3OCR607224-HPL-__ \$1,199 |
| 3VT-LX-C4848-24-___ | \$1,610 | | 60"wl x 72"wr x 24"d | - | 3OCR488424-TFL-__ \$1,125 | 3OCR488424-HPL-__ \$1,300 |
| | | | 60"wl x 84"wr x 24"d | - | - | 3OCR608424-HPL-__ \$1,400 |
| | | | 48"wl x 60"wr x 30"d | - | 3OCR486030-TFL-__ \$890 | 3OCR486030-HPL-__ \$979 |
| 3VT-LX-C4836-30-___ | \$1,610 | | 48"wl x 72"wr x 30"d | - | 3OCR487230-TFL-__ \$965 | 3OCR487230-HPL-__ \$1,062 |
| | | | 48"wl x 84"wr x 30"d | - | 3OCR607230-TFL-__ \$1,110 | 3OCR607230-HPL-__ \$1,250 |
| | | | 60"wl x 72"wr x 30"d | - | - | 3OCR488430-HPL-__ \$1,320 |
| 3VT-LX-C4848-30-___ | \$1,610 | 60"wl x 84"wr x 30"d | - | - | 3OCR608430-HPL-__ \$1,420 | |

Worksurface Program

Multiple worksurface shapes and laminates are available. See the Complete Table & Worksurface Ordering Guide for worksurface details including pricing and laminate colors. TFL Quick ship worksurfaces are shipped out in 48 hours, TFL and HPL Standard worksurfaces ship in 2–3 weeks.

Table bases and worksurfaces can be purchased independently or as a combination.

ESI table bases and worksurfaces are made to exact dimensions. If nominal sizing is needed, please specify when ordering.

esi

800.833.3746

esiergo.com

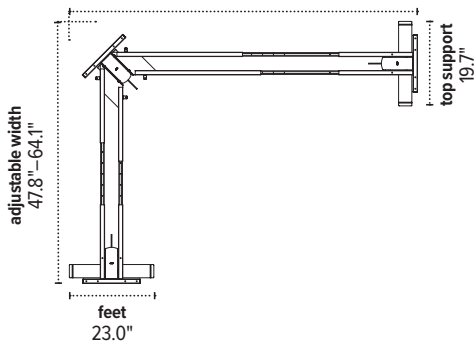
© 2019 Fellowes, Inc. V32 catalog pricing.

Victory-LX 3-Leg

Electric height adjustable table base

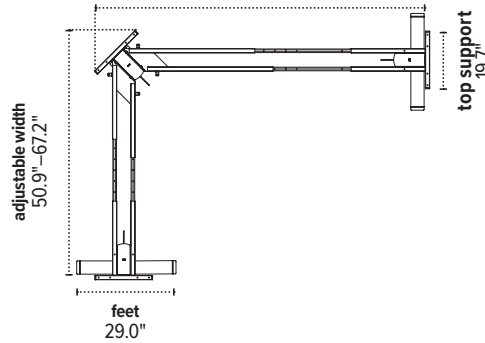
3VT-LX-C4836-24
Reversible Configuration

adjustable width
59.1"–82.2"



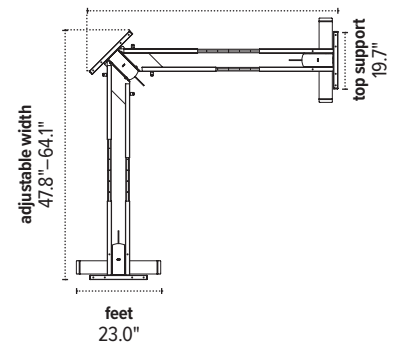
3VT-LX-C4836-30
Reversible Configuration

adjustable width
62.2"–85.3"



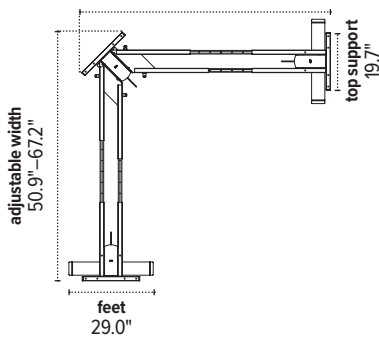
3VT-LX-C3636-24

adjustable width
47.8"–64.1"



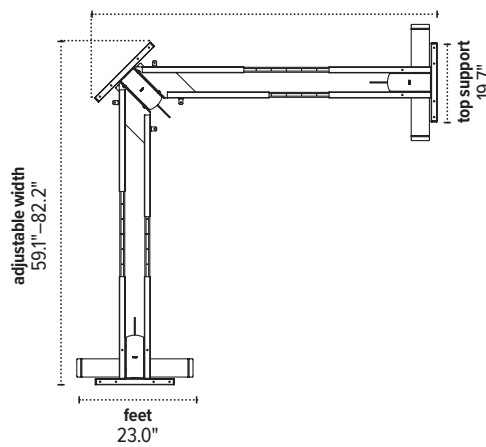
3VT-LX-C3636-30

adjustable width
50.9"–67.2"



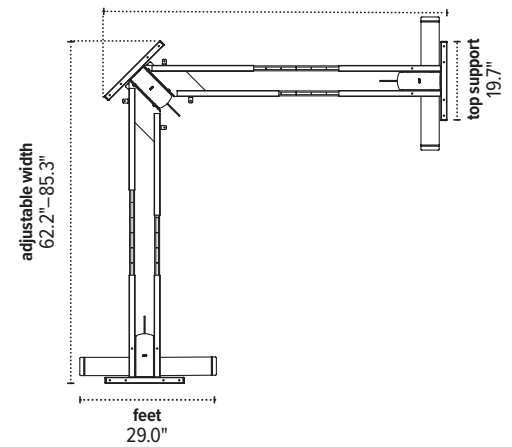
3VT-LX-C4848-24

adjustable width
59.1"–82.2"

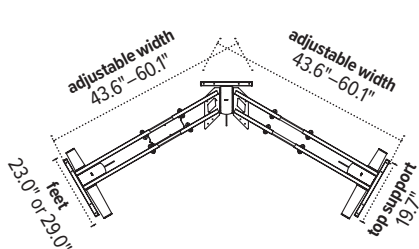


3VT-LX-C4848-30

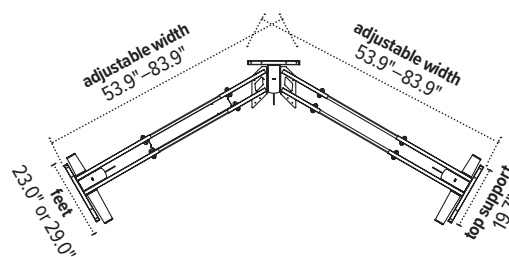
adjustable width
62.2"–85.3"



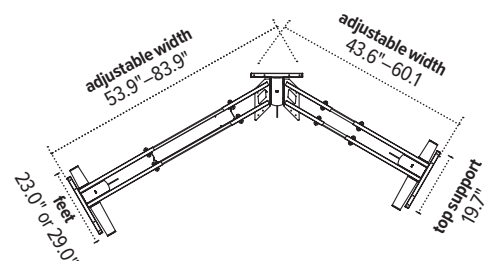
3VT-LX-C3636-24 & 3VT-LX-C3636-30
120° configuration



3VT-LX-C4848-24 & 3VT-LX-C4848-30
120° configuration



3VT-LX-C4836-24 & 3VT-LX-C4836-30
120° configuration



The base dimensions as shown are actual.

esi

800.833.3746
esiargo.com

© 2019 Fellowes, Inc. V32 catalog pricing.