



# Espree™ + Worksurface

pneumatic table bundle

# Espree + Worksurface

pneumatic table bundle

## Rectangle

Dimensions	Base model	List price
48"w x 24"d	2R4824-__-2ESP-C48-ADJ-SLV	\$2,097
48"w x 30"d	2R4830-__-2ESP-C48-ADJ-SLV	\$2,137
60"w x 24"d	2R6024-__-2ESP-C60-ADJ-SLV	\$2,202
60"w x 30"d	2R6030-__-2ESP-C60-ADJ-SLV	\$2,246

Specify laminate code. See laminate guide for details.

**Casters Model #** CASTERKIT-2ESP \$67



locking casters

## Product specs

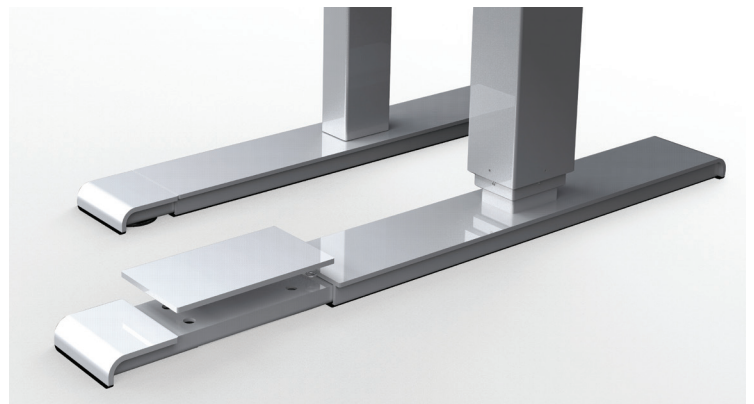
- Pneumatic height adjustment
- 38 lbs.–83 lbs. base lifting capacity (2ESP-C48-ADJ)
- 49 lbs.–94 lbs. base lifting capacity (2ESP-C60-ADJ)
- 19.6" height adjustment range
  - 26.2"–45.8" (low/high)  
*(excluding worksurface)*
- Two stage adjustable legs
- Foot is adjustable to 22.0" or 28.0" *(patented design)*
- Fixed width frame
- Locking casters are available
- Table bases accommodate worksurfaces measuring 48.0" and 60.0" in width
- Counterbalanced columns provide smooth, synchronized height
- Warranty: 15 yr. structural / 7 yr. mechanical

## Espree Features

foot at 28.0"



foot at 22.0"

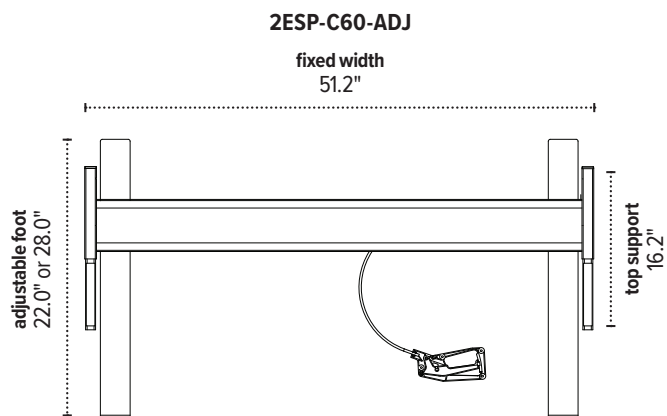
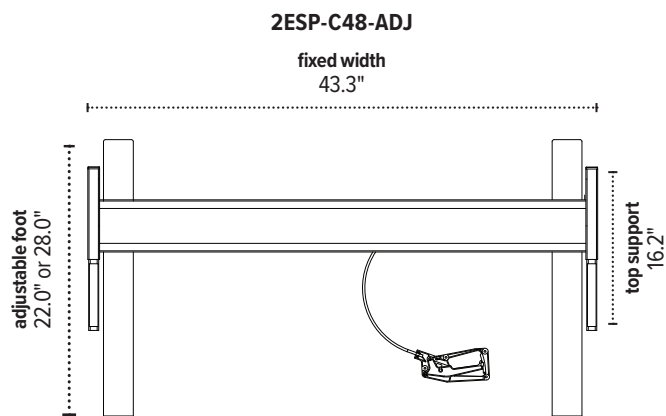


esi

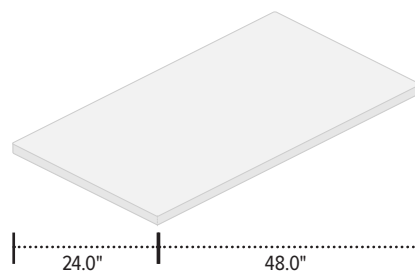
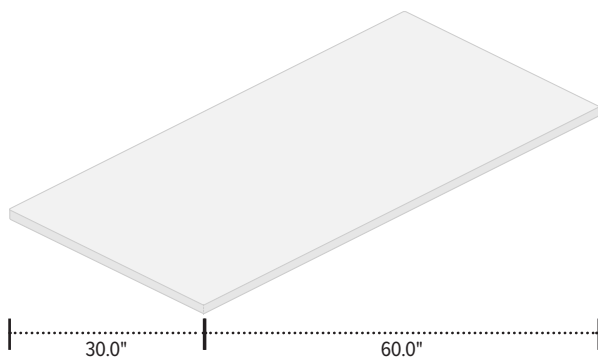
800.833.3746  
esiergo.com

# Espree + Worksurface

pneumatic table bundle



The base dimensions as shown are actual.



esi

800.833.3746  
esiergo.com