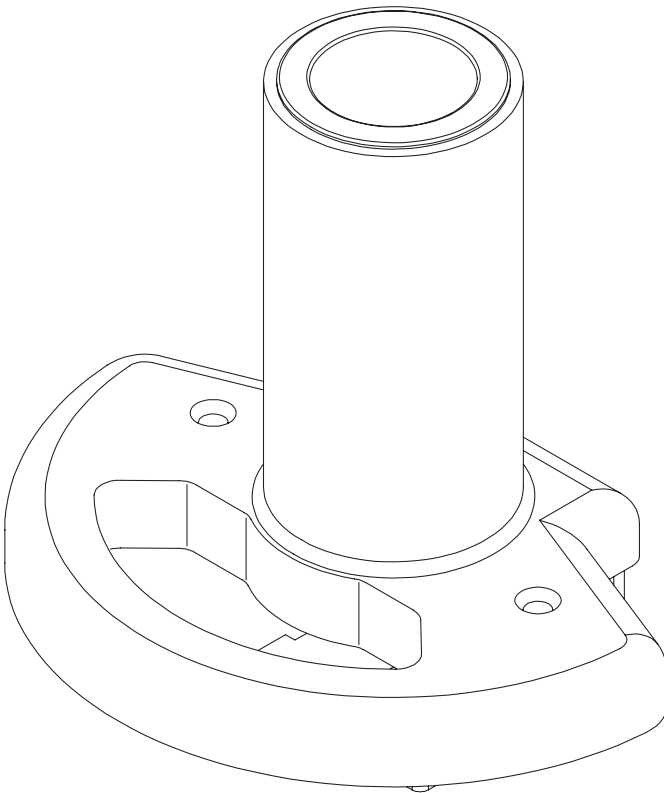


## E-SMT

MONITOR ARM ADAPTER  
FOR ALLSTEEL® STRIDE

Model E-SMT-SLV

E-SMT Rev A 2/17



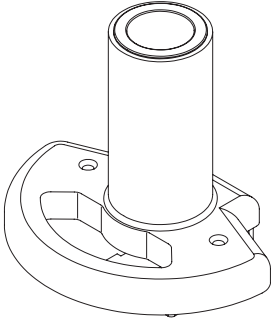
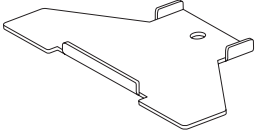
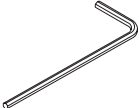
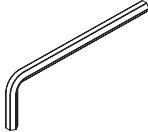

# ASSEMBLY / ADJUSTMENT

## E-SMT MONITOR ARM ADAPTER

**PLEASE REVIEW** these instructions before beginning the installation. Check that all parts and tools shown below were provided with your order. Contact your supplier if any parts are missing. Do not discard the packaging until satisfied that the product operates to your satisfaction.

The E-SMT monitor arm adapter enables attachment of select Edge and Evolve monitor arms to Allsteel® Stride benching systems. After the E-SMT installation is complete, follow the instructions that came with the Edge or Evolve system. The E-SMT can work with the EDGE single monitor arm and the EVOLVE single, dual or triple configurations.

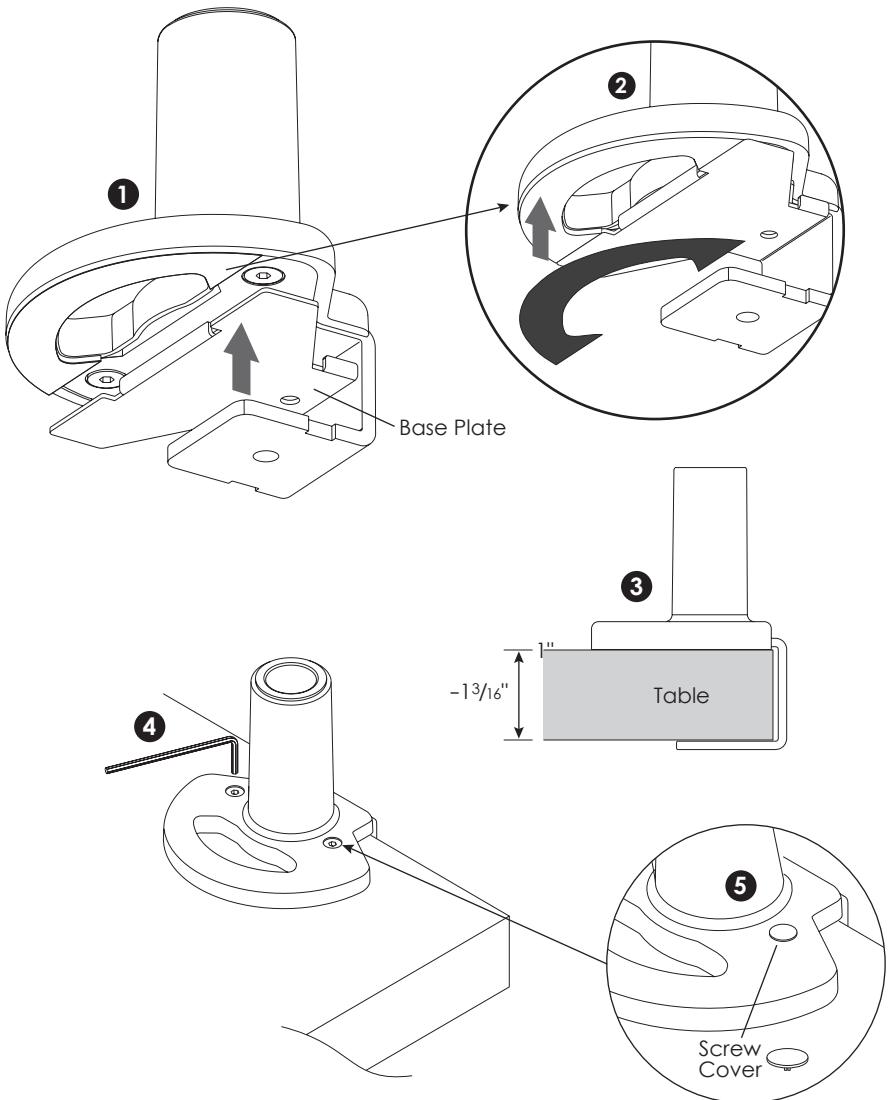
### PARTS AND TOOLS PROVIDED

<p>EDGE-SMT Mount (1)</p>  A cylindrical metal mount with a flange at the bottom and a central hole. The flange has several mounting points and a small notch.	<p>Base Plate (1)</p>  A flat metal plate with a complex shape, including a long narrow section and a small hole.
<p>2mm Allen Key (1)</p>  A standard L-shaped Allen key with a 2mm diameter.	<p>3mm Allen Key (1)</p>  A standard L-shaped Allen key with a 3mm diameter.
<p>Plastic Screw Cover (2)</p>  A small, circular plastic cover with a central hole and a small protrusion on the bottom.	

**CAUTION:** Hand-tighten screws only. Do **not** use power tools.

**Clamp Base Assembly to Table**

1. Press the base plate to the underside of the EDGE-SMT mount.
2. Adhere the clamp pad to the bottom of the grommet mount plate.
3. Position the base assembly on the table edge.
4. Use the 3mm Allen key to tighten the screws on top of the base assembly, securely clamping the assembly in place.
5. Press the screw covers in place over the socket screws.

**Proceed with Monitor Arm Assembly**

- Install the Evolve pole or Edge monitor arm into the base assembly and proceed according to the instructions that came with the system.



800.833.3746 | [esiergo.com](http://esiergo.com)