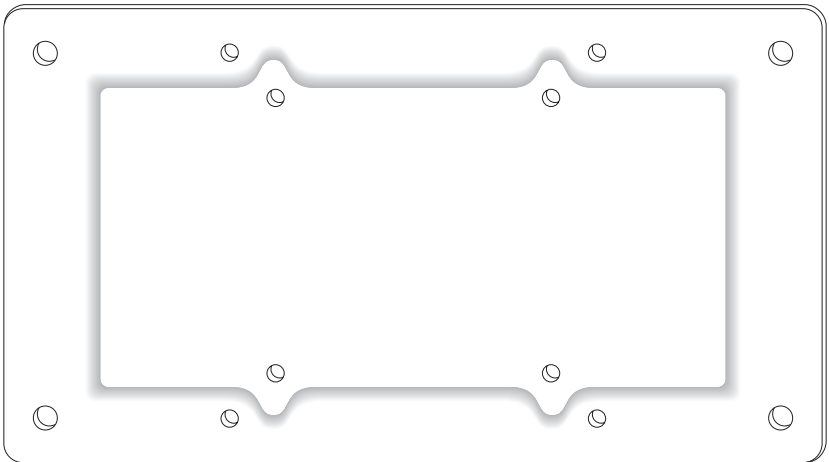


VESA 100x200

CONVERSION MOUNT

Model VESA 100x200-SLV

VESA 100X200 Rev A 2/17



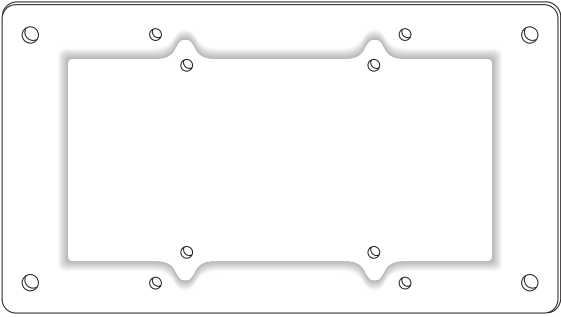


INSTALLATION

VESA 100X200 CONVERSION MOUNT

PLEASE REVIEW these instructions before beginning the installation. Check that the parts shown below were provided with your order. Contact your supplier if any parts are missing. Do not discard the packaging until satisfied that the product operates to your satisfaction.

The VESA 100X200 conversion mount allows a standard VESA plate to attach to a 100mm x 200mm VESA display.

PARTS PROVIDED

<p>VESA 100x200 Mounting Plate (1)</p> 	<p>VESA 100x200 Screw (4)</p>  <p>M6x10</p> <hr/> <p>VESA 100x100/75x75 Screw (4)</p>  <p>M4x10</p>
---	---

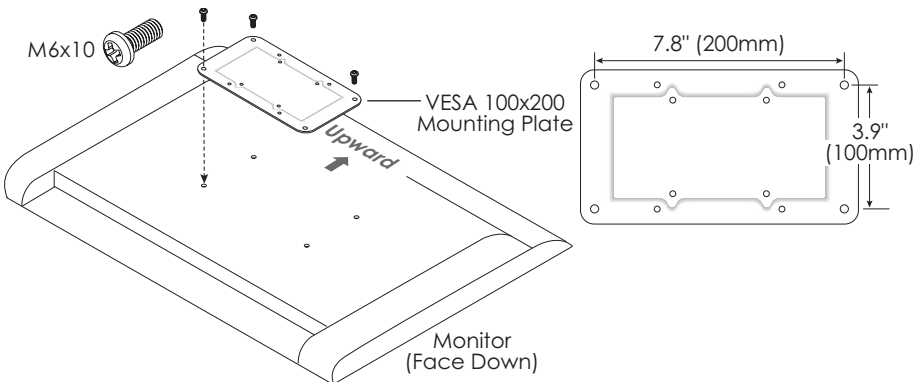
CAUTION: Hand-tighten screws only. Do **not** use power tools.

TOOLS REQUIRED

- Phillips screwdriver

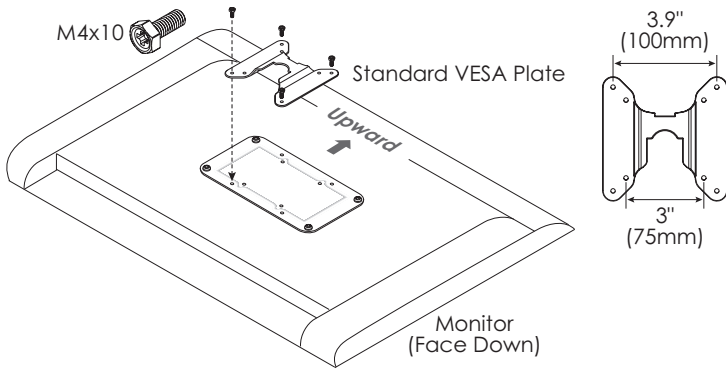
Attach VESA 100x200 Mounting Plate to Monitor

- Place the monitor face down on a soft, flat surface. Align the corner holes on the VESA 100x200 mounting plate with the holes on the back of the monitor. Attach the plate to the monitor with the four M6x10 screws.



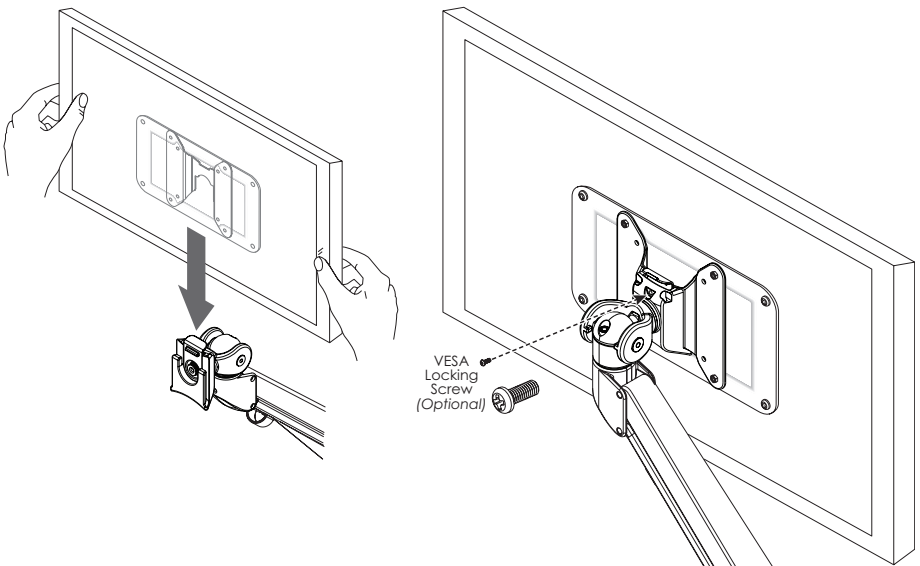
Attach Standard VESA Plate

- Align the VESA plate holes on the standard VESA plate with the holes on the back of the 100x200 mounting plate. Attach the standard VESA plate using the four M4x10 screws provided.
 - There are two sets of four holes on the standard VESA plate. One set has holes 3.9" (100mm) apart, the other set has holes 3" (75mm) apart. Either set may be used.



Attach Monitor to VESA Mount

- Slide the standard VESA plate onto the VESA mount. Make sure the VESA plate clicks securely in place.
 - **Optional:** Install a VESA locking screw behind the VESA plate to prevent the tab on the VESA plate from releasing the monitor.





800.833.3746 | esiergo.com