



Q Crank

Crank height adjustable table base



Q Crank

Crank height adjustable table base

esi®



hand crank
no electricity needed

Product specs

- Crank height adjustment
- 220 lb. base lifting capacity
- 1.0" per two cranks adjustment speed
- 17.5" height adjustment range
- 24.8"–42.3" (low/high) (excluding worksurface)
- Two stage adjustable legs
- C-leg
- Adjustable width frame accommodates worksurfaces 36.0"–72.0"
- Locking casters are available
- Complete tables available (base and top)
- Warranty: 15 yr. (structural)/7 yr. (mechanical)

Available base finishes

- Silver -SLV
- Black -BLK



locking casters

Caster Kit

- Set of four casters for table base
- Increases height by 2.0"
- Locking casters for security

MODEL # CASTERKIT-QCRANK

Q Crank

Crank height adjustable table base



Complete quick ship table model # breakdown

2QC_-R4824-QS-T__
| | | | | | | | |
a b c d e f g h i

- a: number of legs
- b: type of table base
- c: finish of base
- d: worksurface shape
- e: worksurface width
- f: worksurface depth
- g: quick ship indicator
- h: laminate material
- i: laminate color

48.0" x 24.0" quick ship complete table

- Q Crank 2-leg table base with a 48.0"w x 24.0"d rectangle TFL worksurface

MODEL # 2QC_-R4824-T_

60.0" x 30.0" quick ship complete table

- Q Crank 2-leg table base with a 60.0"w x 30.0"d rectangle TFL worksurface

MODEL # 2QC_-R6030-T_

■ base finish notation

■ laminate color notation

Available base finishes

- Silver -S
- Black -B

Available TFL quick ship laminates

- Beigewood -BG
- Phantom Charcoal -PC
- Shadow Oak -SO
- Designer White -DW
- Grey -GR
- Dove Grey -DV

Q Crank table

Quick ship complete table options include: silver and black table base; 48.0"w x 24.0"d or 60.0"w x 30.0"d rectangle worksurfaces; all six TFL laminates. For all other combinations, please call our Customer Service Department for the estimated lead time and cost.

Multiple worksurface shapes and laminates are available. See Complete Table and Worksurface Guide for worksurface details including laminate colors.

Table bases		Available worksurfaces				
Table base model	Worksurface shape	Worksurface dimension	TFL standard		HPL standard	HPL premium
			Quick ship	Standard ship	Standard ship	Standard ship
QCRANK-24S-___		36"w x 24"d	—	2R3624-TFL-__	2R3624-HPL-__	2R3624-PHPL-__
		42"w x 24"d	—	2R4224-TFL-__	2R4224-HPL-__	2R4224-PHPL-__
		48"w x 24"d	2R4824-QS-TFL-__	2R4824-TFL-__	2R4824-HPL-__	2R4824-PHPL-__
QCRANK-24L-___		60"w x 24"d	—	2R6024-TFL-__	2R6024-HPL-__	2R6024-PHPL-__
		72"w x 24"d	—	2R7224-TFL-__	2R7224-HPL-__	2R7224-PHPL-__
QCRANK-30S-___	Rectangle	36"w x 30"d	—	2R3630-TFL-__	2R3630-HPL-__	2R3630-PHPL-__
		42"w x 30"d	—	2R4230-TFL-__	2R4230-HPL-__	2R4230-PHPL-__
		48"w x 30"d	—	2R4830-TFL-__	2R4830-HPL-__	2R4830-PHPL-__
QCRANK-30L-___		60"w x 30"d	2R6030-QS-TFL-__	2R6030-TFL-__	2R6030-HPL-__	2R6030-PHPL-__
		72"w x 30"d	—	2R7230-TFL-__	2R7230-HPL-__	2R7230-PHPL-__

Worksurface Program

Multiple worksurface shapes and laminates are available. See the Complete Table & Worksurface Ordering Guide for worksurface details including pricing and laminate colors. TFL quick ship worksurfaces are shipped out in 48 hours, TFL standard and HPL standard/premium worksurfaces ship within three weeks. Lead time may vary depending on quantities ordered and their availability

Table bases and worksurfaces can be purchased independently or as a combination.

ESI worksurfaces are made to exact dimensions. If nominal sizing is needed, please specify when ordering.

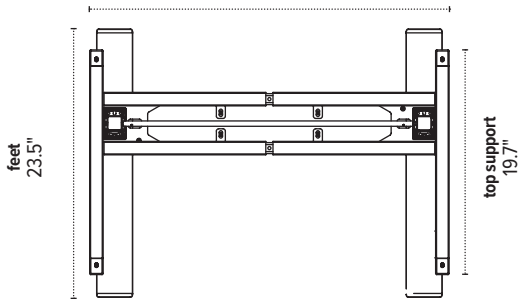
Q Crank

Crank height adjustable table base



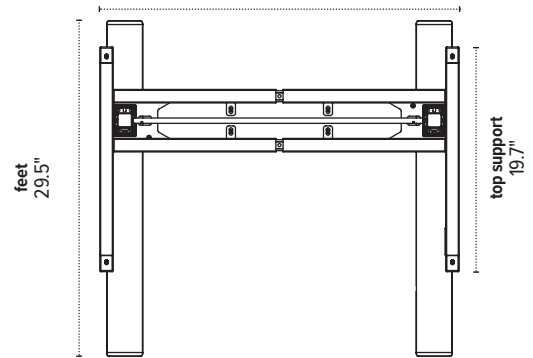
Q CRANK-24S

adjustable width
28.6"–47.5"



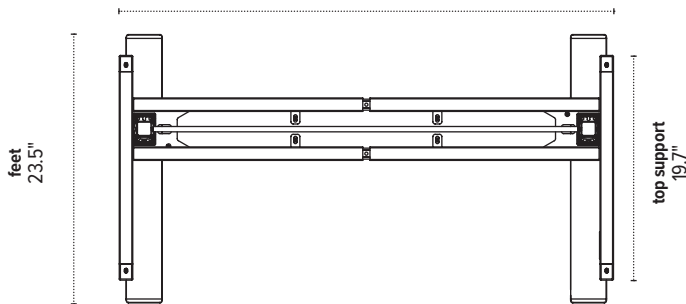
Q CRANK-30S

adjustable width
28.6"–47.5"



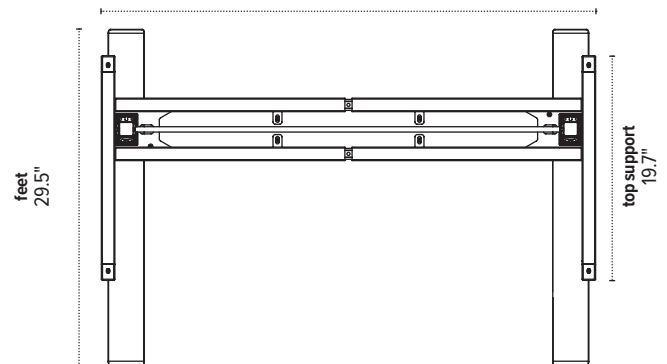
Q CRANK-24L

adjustable width
40.1"–70.7"



Q CRANK-30L

adjustable width
40.1"–70.7"



The base dimensions as shown are actual.