

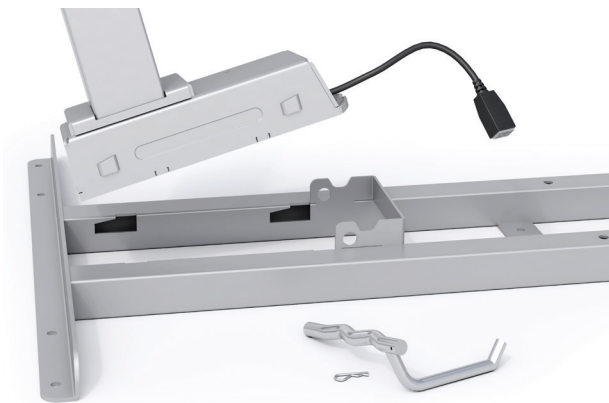


Victory™ LX 2-Leg

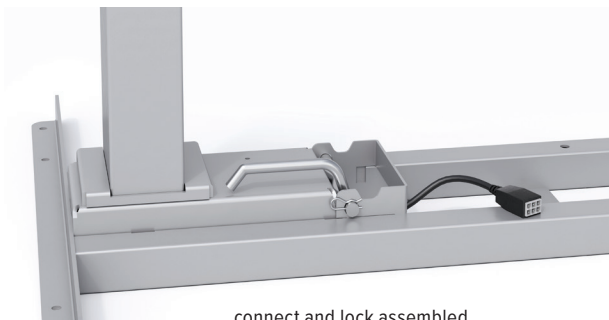
Electric height adjustable table base

VictoryLX 2-Leg

Electric height adjustable table base



connect and lock pre-assembly



connect and lock assembled



digital keypad



drawers easily slide over feet



locking casters

Product specs

- Electric height adjustment
- 220 lbs. base lifting capacity
- 1.4"/sec adjustment speed
- 26.1" height adjustment range
 - 21.6"–47.7" (low/high)
 - (excluding worksurface)*
- Frame and column connect and lock for quick and easy assembly
- Gyro sensor anti-collision
- Three stage adjustable legs
- Adjustable width frame
- Soft start
- Locking casters available
- Two motors
- ADA compliant
- 105.0" power cord
- Table base is UL962 listed
- Meets or exceeds BIFMA x5.5 requirements
- Meets BIFMA GI-2013 ergonomic standards when used with a 1.0" worksurface
- Works with peds or storage with 20.0" max. height
- Low standby power consumption
- Steel frame and foot construction
- Digital keypad
- Keypad can slide under worksurface to store out of the way
- Complete tables available (base and top)
- Warranty: 15 yrs. (*structural*) / 7 yrs. (*mechanical*)

Available base finishes

- Silver -SLV
- Black -BLK
- White -WHT

Caster Kit

- Set of 4 casters for table bases
- Increases height by 2.0"
- Locking casters for security

MODEL # CASTERKIT-LX-2LEG \$53

esi

800.833.3746
esiergo.com

VictoryLX 2-Leg

Electric height adjustable table

Complete table model # breakdown:

2VT_-R4824-T_-_-
| | | | | | |
a b c d e f g

- a: number of legs
- b: type of table base
- c: finish of base
- d: shape of worksurface
- e: size of worksurface
- f: laminate material
- g: laminate color

48.0" x 24.0" quick ship complete table

- VictoryLX 2-leg table base with a 48.0"w x 24.0"d rectangle TFL worksurface

Model # 2VT_-R4824-T-█ \$1,363

60.0" x 30.0" quick ship complete table

- VictoryLX 2-leg table base with a 60.0"w x 30.0"d rectangle TFL worksurface

Model # 2VT_-R6030-T-█ \$1,463

█ base finish notation █ laminate notation

Available base finishes

- Silver -SLV
- Black -BLK
- White -WHT

Available TFL quick ship laminates

- White White -WW
- Sunset Grey -SG
- Willow Grey -WG
- Canadian Grey -CG
- Acacia -AC
- Shadow Oak -SO

VictoryLX 2-leg tables

Quick ship complete table options include: silver, black, or white table bases; 48.0"x24.0" or 60.0"x30.0" rectangle worksurfaces; all six TFL laminates. For all other combinations, please call our Customer Service Department for the estimated lead time and cost.

esi

800.833.3746
esiergo.com

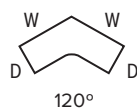
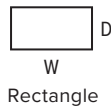
VictoryLX 2-Leg

Electric height adjustable table base

Table bases

Available worksurfaces

Table base model #	List price	Worksurface shape	Worksurface dimension	TFL Quick ship	TFL Standard	HPL Standard
2VT-LX-C36-24-___	\$1,113	Rectangle	36"w x 24"d	—	2R3624-TFL-___ \$195	2R3624-HPL-___ \$273
			42"w x 24"d	—	2R4224-TFL-___ \$220	2R4224-HPL-___ \$315
			48"w x 24"d	2R4824-QS-TFL-___ \$250	2R4824-TFL-___ \$250	2R4824-HPL-___ \$350
2VT-LX-C48-24-___	\$1,113	Rectangle	60"w x 24"d	—	2R6024-TFL-___ \$300	2R6024-HPL-___ \$420
			72"w x 24"d	—	2R7224-TFL-___ \$375	2R7224-HPL-___ \$460
			84"w x 24"d	—	2R8424-TFL-___ \$420	2R8424-HPL-___ \$500
2VT-LX-C36-30-___	\$1,113	Rectangle	36"w x 30"d	—	2R3630-TFL-___ \$210	2R3630-HPL-___ \$300
			42"w x 30"d	—	2R4230-TFL-___ \$230	2R4230-HPL-___ \$330
			48"w x 30"d	—	2R4830-TFL-___ \$275	2R4830-HPL-___ \$380
2VT-LX-C48-30-___	\$1,113	Rectangle	60"w x 30"d	2R6030-QS-TFL-___ \$350	2R6030-TFL-___ \$350	2R6030-HPL-___ \$340
			72"w x 30"d	—	2R7230-TFL-___ \$400	2R7230-HPL-___ \$480
2VT-LX-C36-24-___	\$1,113	Trapezoid	48"w x 24"d	—	20-4824-TFL-___ \$815	120-4824-HPL-___ \$1,141
			60"w x 24"d	—	—	120-6024-HPL-___ \$1,605
2VT-LX-C48-24-___	\$1,113	Trapezoid	72"w x 24"d	—	—	120-7224-HPL-___ \$1,800
			48"w x 30"d	—	—	120-4830-HPL-___ \$1,295
2VT-LX-C36-30-___	\$1,113	Trapezoid	60"w x 30"d	—	—	120-6030-HPL-___ \$1,625
			72"w x 30"d	—	—	120-7230-HPL-___ \$1,825



Worksurface program

Multiple worksurface shapes and laminates are available. See the Complete Table & Worksurface Ordering Guide for worksurface details including pricing and laminate colors. TFL Quick ship worksurfaces are shipped out in 48 hours, TFL and HPL Standard worksurfaces ship in 2–3 weeks.

Table bases and worksurfaces can be purchased independently or as a complete table.

ESI table bases and worksurfaces are made to exact dimensions. If nominal sizing is needed, please specify when ordering.

esi

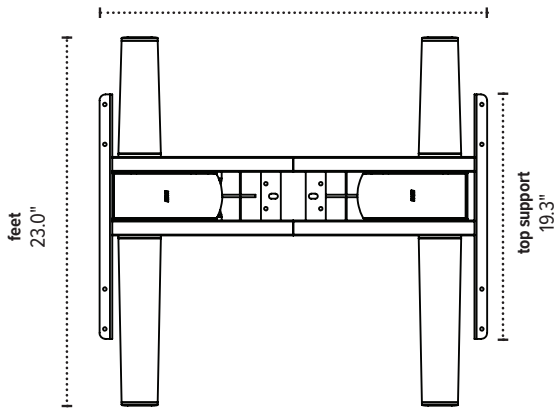
800.833.3746
esiergo.com

VictoryLX 2-Leg

Electric height adjustable table base

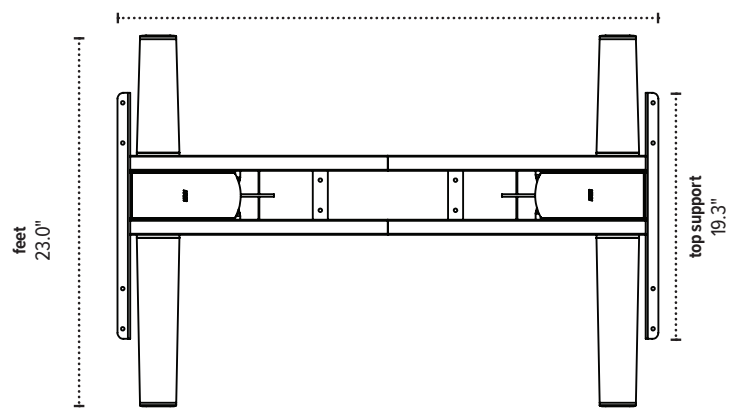
2VT-LX-C36-24

adjustable width
30.8"–47.0"



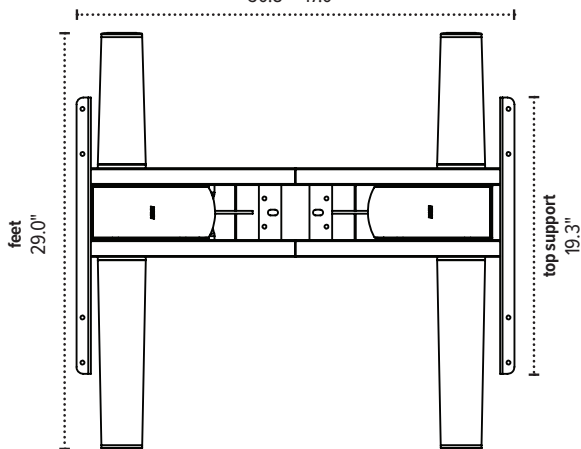
2VT-LX-C48-24

adjustable width
42.7"–71.0"



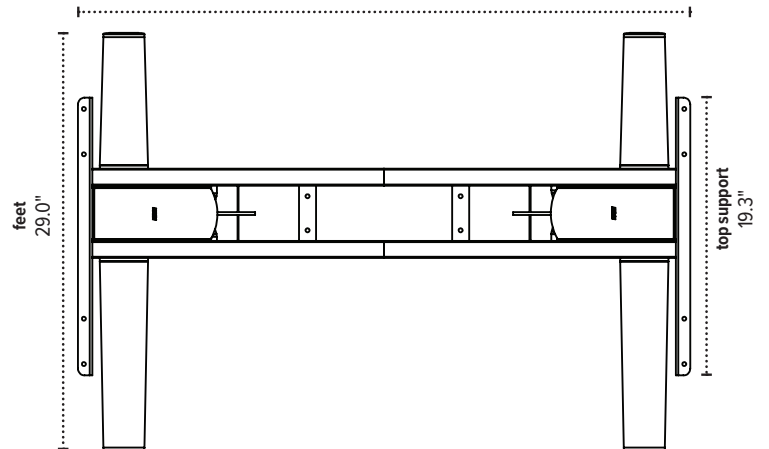
2VT-LX-C36-30

adjustable width
30.8"–47.0"



2VT-LX-C48-30

adjustable width
42.7"–71.0"



The base dimensions as shown are actual.

esi

800.833.3746
esiergo.com

© 2019 Fellowes, Inc. V32 catalog pricing.