

(M) MOTION
MOTION ARM

Motion arms provide 13" of dynamic height adjustment.

MODEL #
EDV-MA



(F) FIXED
STRAIGHT ARM

Fixed arms provide extra reach.

MODEL #
EDV-SA



VESA MOUNT
MONITOR ATTACHMENT

A VESA Mount attaches your monitor to the arm.

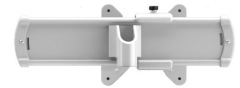
MODEL #
EDV-BSHVM



ARM STEM
STRAIGHT ARM

Arm Stems are included in every configuration.

MODEL #
EDV-STEM



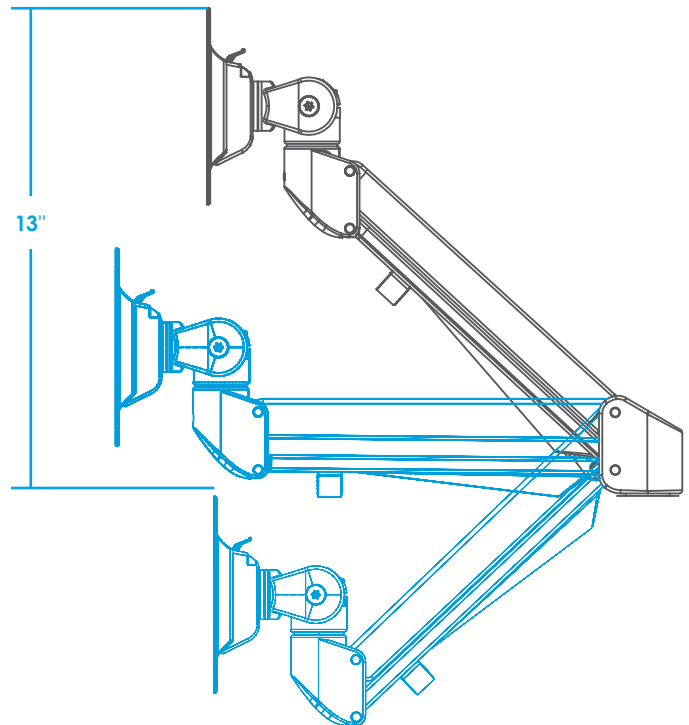
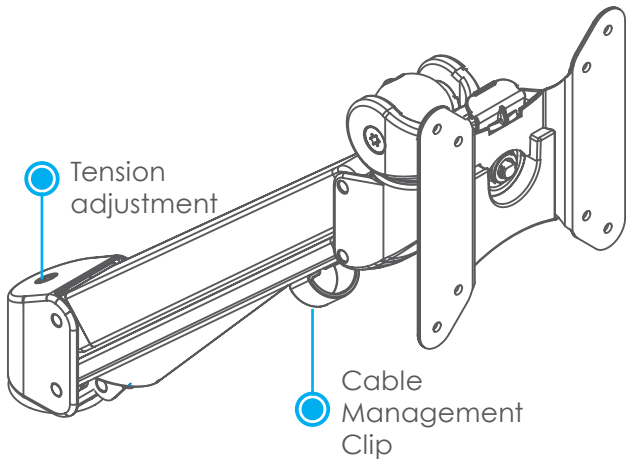
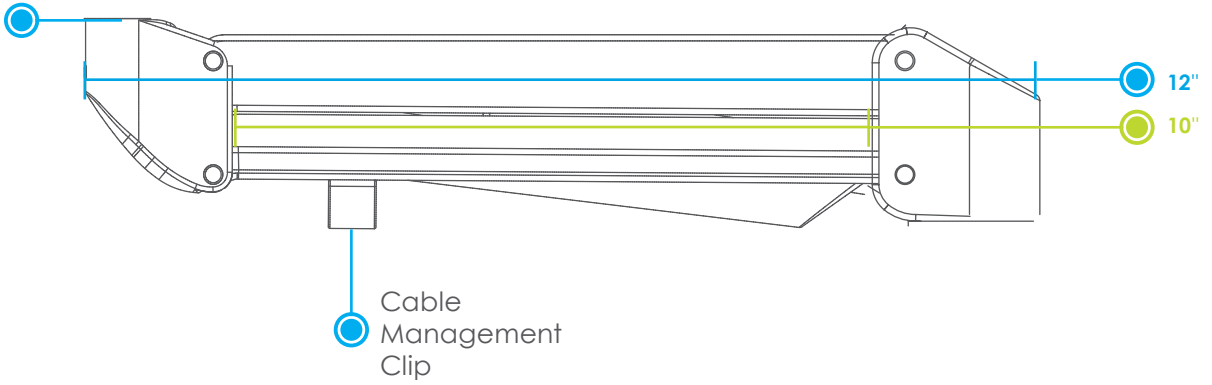
(S) SLIDER MOUNT
VESA SLIDER

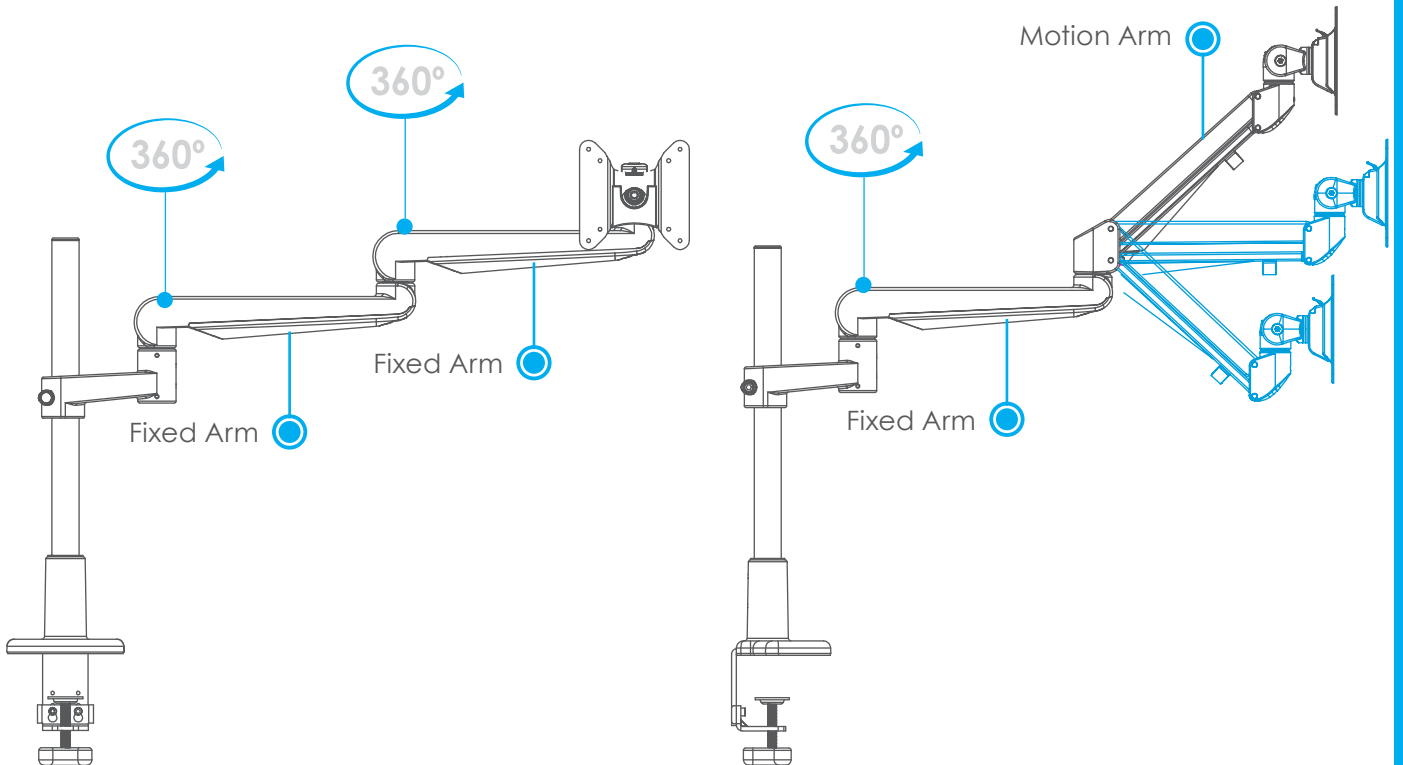
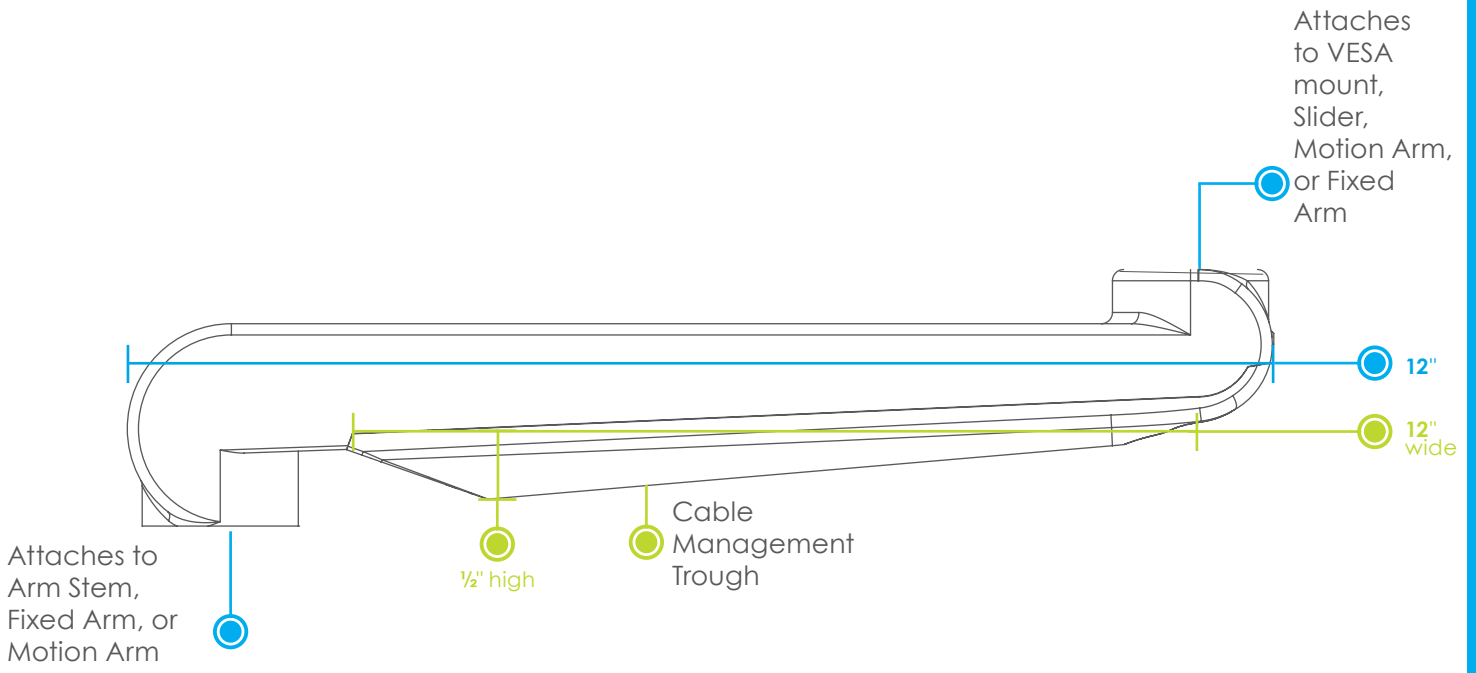
Sliders provide extended lateral adjustment - ideal for positioning monitors of varying sizes side-by-side.

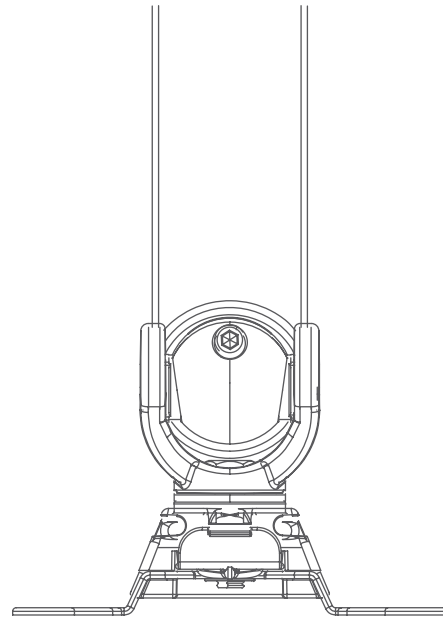
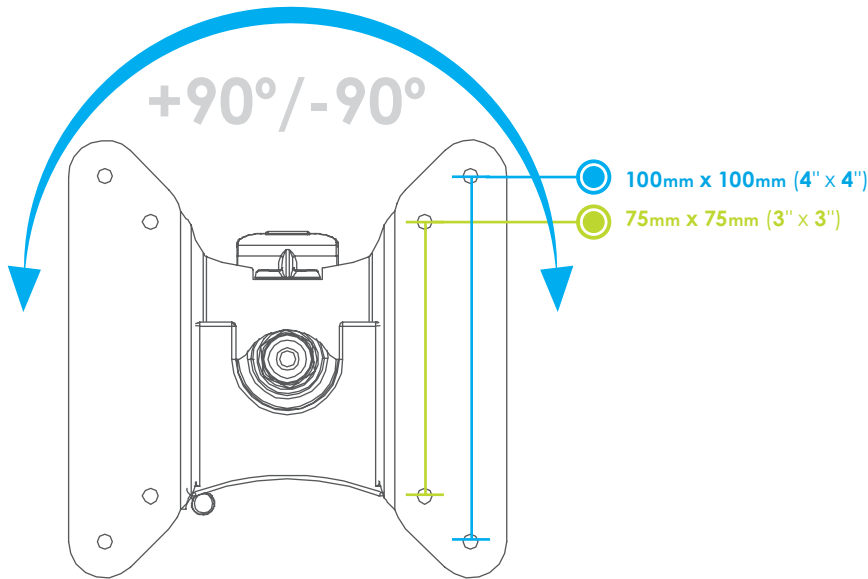
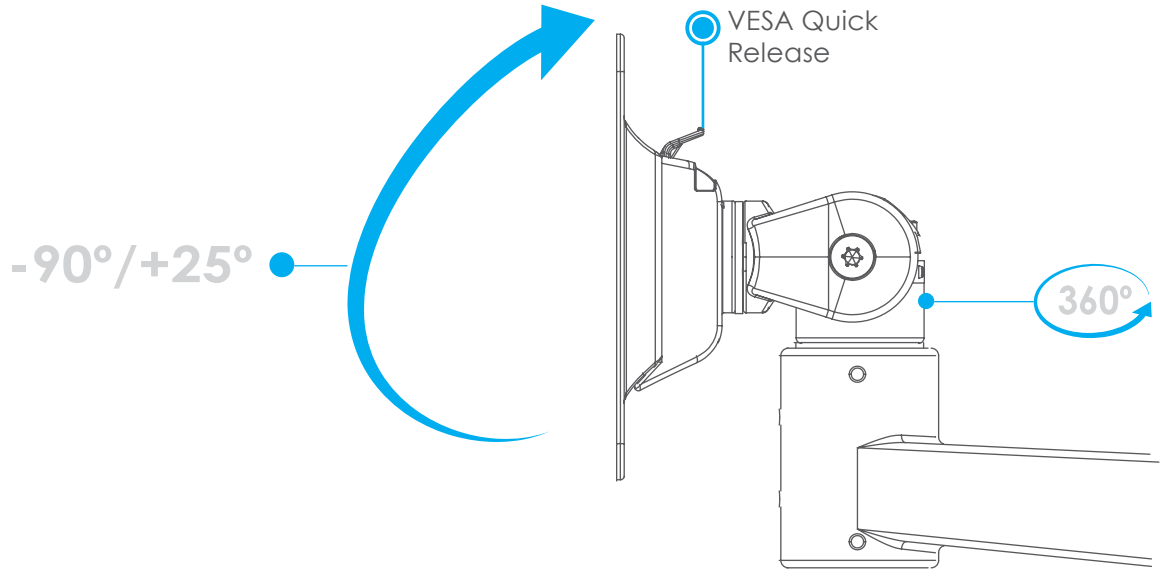
MODEL #
EDV-SLD



Attaches to VESA mount or Slider







Screw hole that fastens the motion arm or fixed arm to the arm stem

