

## AA370

ARTICULATING KEYBOARD ARM

Model AA370

AA370 Rev A 4/17

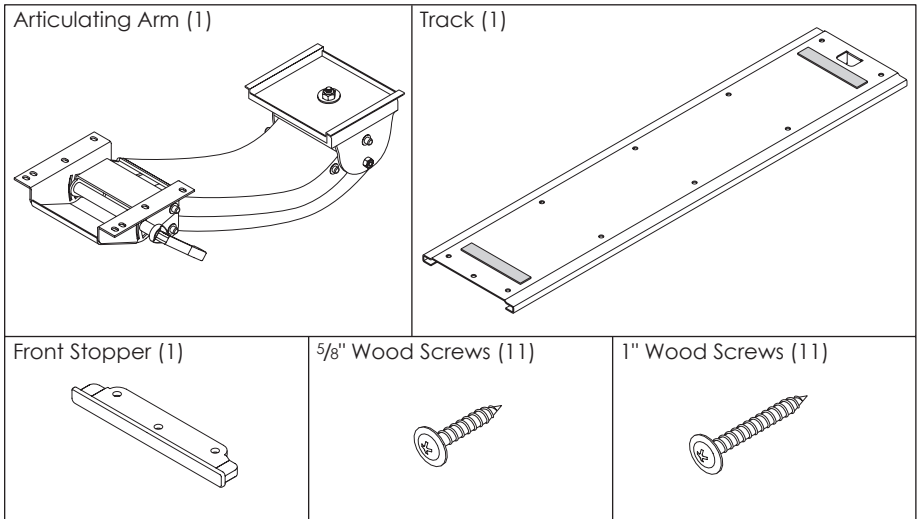


# INSTALLATION AND USE

## AA370 ARTICULATING KEYBOARD ARM

**PLEASE REVIEW** these instructions before beginning the installation. Check that all parts needed were provided with your order. Contact your supplier if any parts are missing. Do not discard the packaging until satisfied that the product operates to your satisfaction.

### PARTS PROVIDED



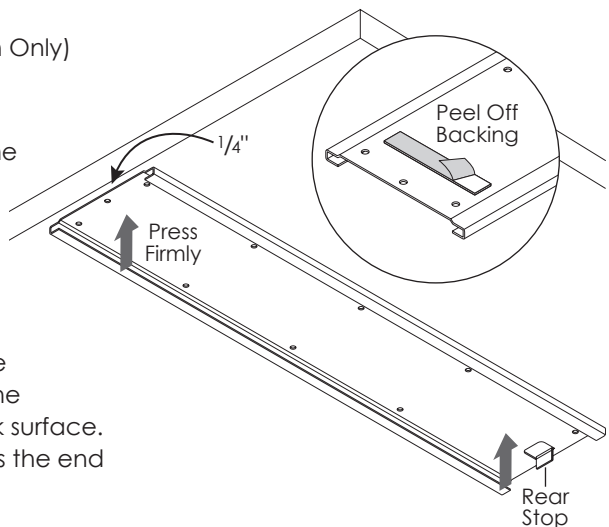
**CAUTION:** This install requires power tool Cordless Drill. This is not a hand tool install.

### ADDITIONAL TOOLS REQUIRED

- #2 Phillips Screw Driver Bit
- 1/8" Drill Bit
- Drill (For Track Installation Only)

### STEP 1: Adhere Track

- Peel the backing from the adhesive strips on top of the track.
- Adhere the track to the underside of the work surface.
  - Position the front edge of the track 1/4" from the front edge of the work surface. The front of the track is the end with three holes.
- Press the track firmly in place.

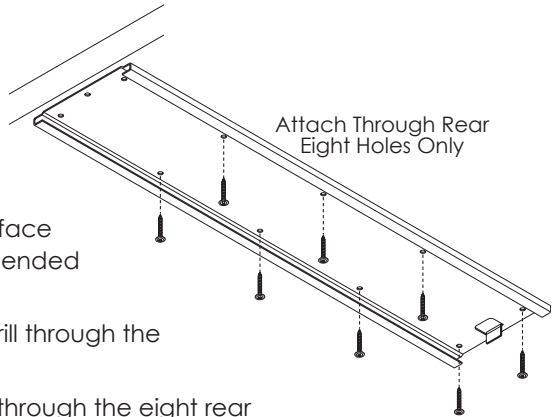


**STEP 2: Attach Track**

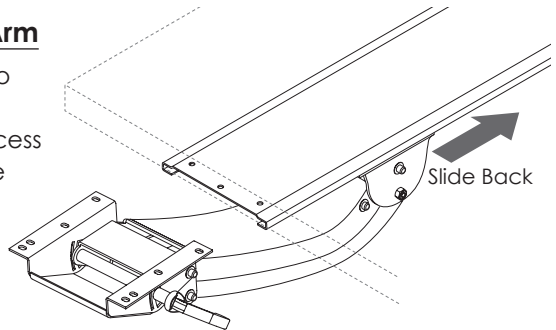
- Drill  $\frac{1}{8}$ " pilot holes through all 11 holes in the track.
  - Drill the holes  $\frac{5}{8}$ " deep or 1" deep, depending on which wood screws will be used. (A minimum work surface thickness of  $1\frac{1}{2}$ " is recommended for the 1" screws.)

**CAUTION:** Be careful not to drill through the work surface.

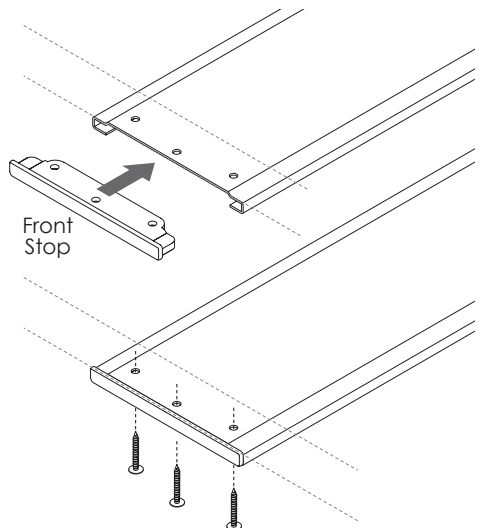
- Attach the track with screws through the eight rear holes only, as shown.

**STEP 3: Install Articulating Arm**

- Slide the articulating arm onto the track. Position it back far enough so that you have access to the front three holes on the track.

**STEP 4: Attach Front Stop**

- Position the front stop onto the front of the track and secure it with the final three wood screws.



## OPERATION

### **To Raise or Lower:**

- Tip the platform up to unlock.
- Move the arm to the desired height.
- Release the platform to lock it in place.

### **To Set Tilt Angle:**

- Unlock the quick release handle on the right side of the arm.
- Adjust the tilt angle to the desired position.
- Lock the quick release knob.



800.833.3746 | [esiergo.com](http://esiergo.com)