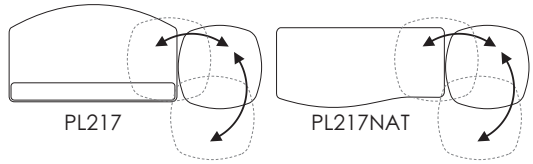


PL217 KEYBOARD PLATFORM

Model PL217
Model PL217NAT

PL217 Rev A 4/17

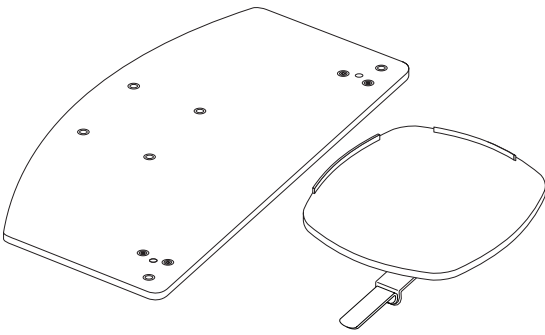
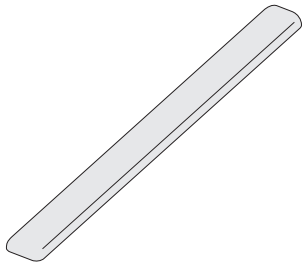



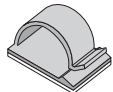


INSTALLATION AND USE

PL217 KEYBOARD PLATFORM

PLEASE REVIEW these instructions before beginning the installation. Check that all parts needed were provided with your order. Contact your supplier if any parts are missing. Do not discard the packaging until satisfied that the product operates to your satisfaction.

PARTS PROVIDED

Keyboard Platform and Mouse Platform (1 each)		Palm Rest (1)	
			
Flathead Screw (4)	Flange Nut (4)	Panhead Screw (2)	Cord Clips (2)
 #8-32x1/2	 #8x32	 #8-32x5/8	

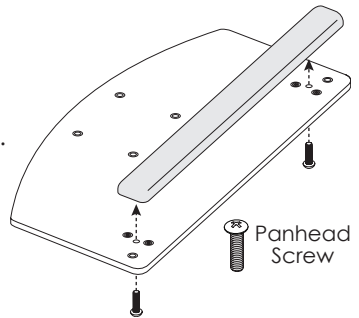
CAUTION: Hand-tighten screws only. Do **not** use power tools.

ADDITIONAL TOOLS REQUIRED

- Phillips screwdriver

STEP 1: Attach Palm Rest

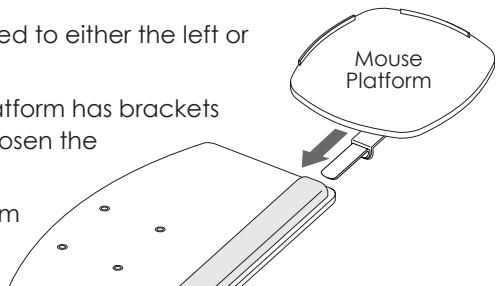
- Attach the palm rest to the keyboard platform. Use two #8-32x5/8 panhead screws and a Phillips screwdriver. (Skip this step with Model PL217NAT, which does not use a palm rest.)



STEP 2: Attach Mouse Platform

The mouse platform may be attached to either the left or right side of the keyboard platform.

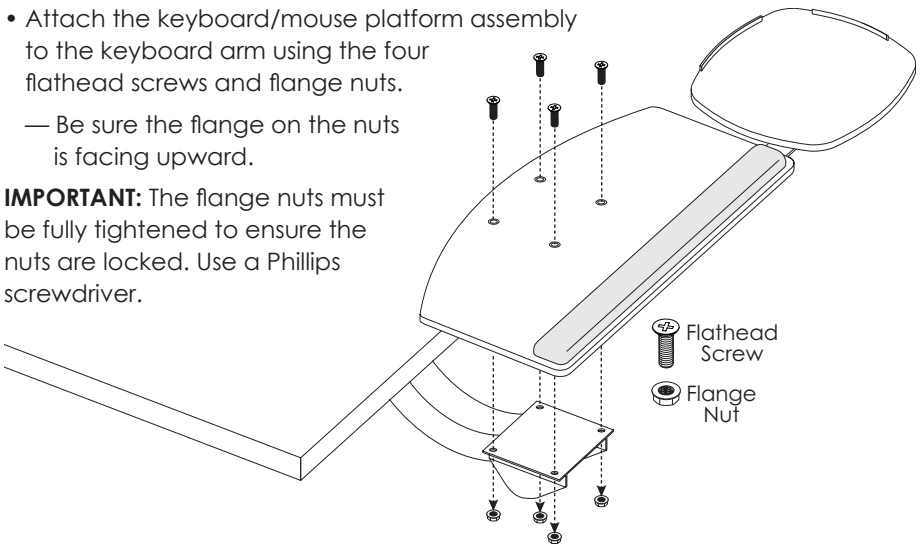
- The underside of the keyboard platform has brackets on both the left and right sides. Loosen the knob on the appropriate bracket.
- Slide the arm of the mouse platform arm into the bracket and tighten the knob.



STEP 3: Attach Platform Assembly

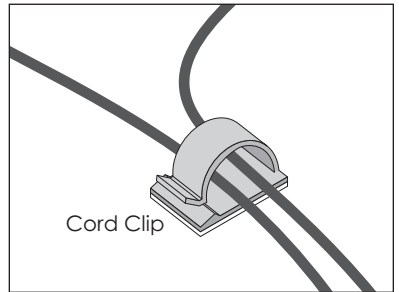
- Attach the keyboard/mouse platform assembly to the keyboard arm using the four flathead screws and flange nuts.
 - Be sure the flange on the nuts is facing upward.

IMPORTANT: The flange nuts must be fully tightened to ensure the nuts are locked. Use a Phillips screwdriver.



STEP 4: Manage Cables

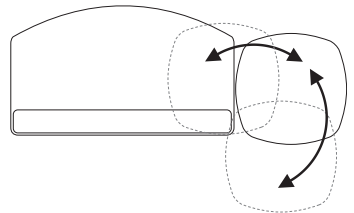
- Adhere cord clips to the underside of the keyboard platform as needed to organize the keyboard and mouse cables.



Operation

The mouse platform can be positioned in direct line with the keyboard, closer to the body for improved ergonomic comfort, or over the numeric keys to decrease reach.

Plus, depending how the arm of the mouse platform is inserted into the keyboard platform, it can be at keyboard platform height or above-platform height, depending on user preference.



TO OPERATE THE KEYBOARD ARM, follow the instructions on the keyboard arm or the instructions included with the installation procedures for the product.



800.833.3746 | esiergo.com