

esi®



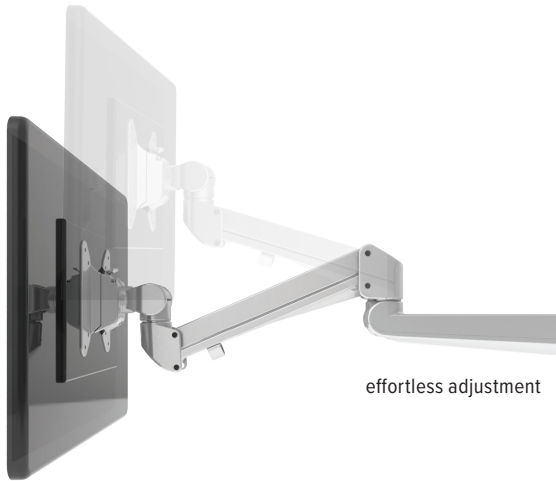
Edge®
Single monitor arm

Edge

Single monitor arm



esi®



effortless adjustment



cable management



landscape/portrait rotation



grommet mount



desk clamp



integrated allen key storage



VESA quick release

Product specs

- Finger touch dynamic height adjustment
- Recommended for worksurfaces 36.0" deep or less
- 12.0" height adjustment range
 - 7.0"–19.0" (low/high)
- 23.5" arm extension
- 4.1" arm retraction
- $\pm 90^\circ$ monitor tilt
- $\pm 90^\circ$ VESA rotation
- 6.5 lb.–17.6 lb. weight capacity
- VESA 75mm/100mm quick release
- 180° lock-out feature
- Desk clamp and grommet mount included
- Meets or exceeds BIFMA x5.5 and CSA CAN/CGSB44.227 guidelines
- Benching system mount(s) available. Call the Customer Service Dept for details
- Warranty: 15 yr.



Model

- EDGE-SLV
- EDGE-BLK
- EDGE-WHT

Conversion

Reuse most of the parts in your single Edge arm when you convert up to the Edge2 with our simple kit. *Conversion kit sold separately*

Edge

Single monitor arm

