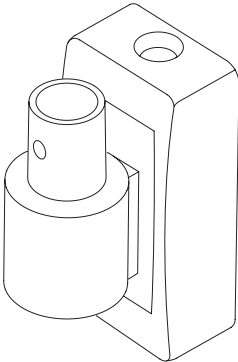


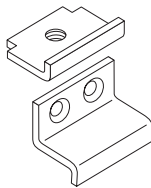
Slat Mount for Vivid Desktop Lights

Model SLAT-V-SLV

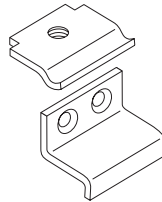
SLAT-V Rev A 5/17



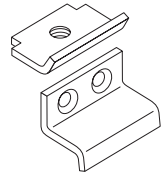
Slat Mount



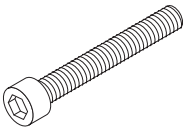
Clamp Set 1



Clamp Set 2



Clamp Set 3



M5x1.0x45
Socket Head Screw



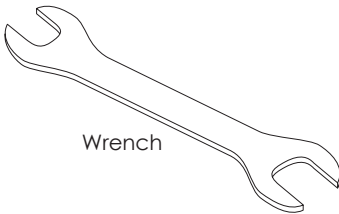
M5x1.0
Nut



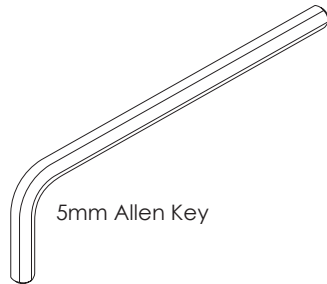
M3x0.8x6
Pan Head Screw



M3x0.8x6
Flat Head Screw



Wrench



5mm Allen Key

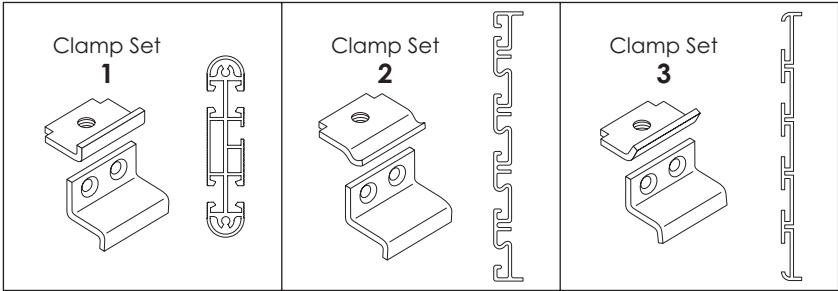
Package Contents: 1 Slat Mount
1 Clamp Set 1
1 Clamp Set 2
1 Clamp Set 3
1 M5x1.0 Nut

1 M5x1.0x45 Socket Head Screw
1 M3x0.8x6 Pan Head Screw
2 M3x0.8x6 Flat Head Screw
1 Wrench
1 5mm Allen Key

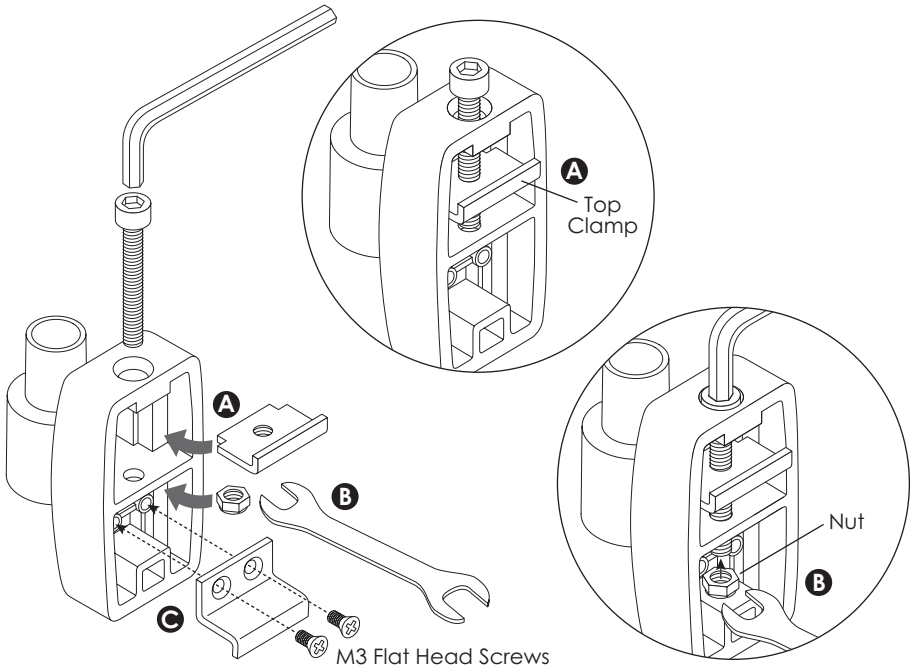
INSTALLATION

STEP 1: CHOOSE CLAMP SET

- Refer to the illustrations below and choose the appropriate set of clamps (1, 2 or 3) to fit the clamp wall. The clamp set number is stamped into both clamps of each set.

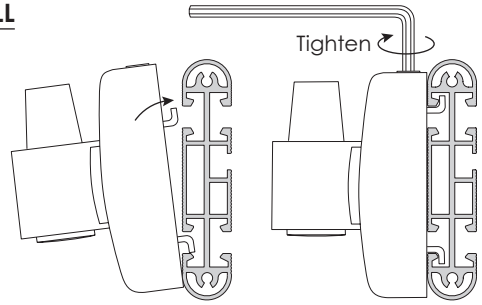
**STEP 2: ASSEMBLE SLAT MOUNT**

- Insert the M5 socket head screw into the top hole of the slat mount. Screw it through the threaded hole in the top adjustment plate (top clamp of the set). Orient the top clamp as shown in the illustrations above.
- Secure the bolt through the center cross member in the slat mount with the M5 nut. Use the provided wrench and 5mm Allen key.
- Secure the bottom clamp of the set with the two M3 flat head screws using a Phillips screwdriver.

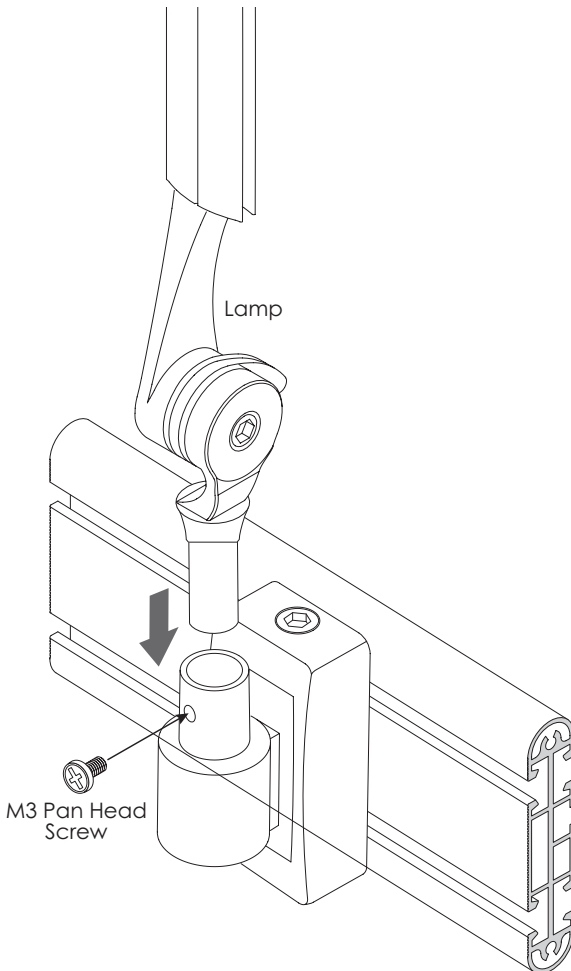


STEP 3: ATTACH MOUNT TO SLAT WALL

- To fit the slat mount into the slat wall, loosen or tighten the M5 bolt to raise or lower the top clamp, as needed.
- Attach the mount securely to the slat wall by tightening the bolt to raise the top clamp.

**STEP 4: INSTALL LAMP**

- Insert the bottom post on the lamp into the slat mount.
- Install the provided M3 pan head screw and tighten it to secure the lamp.





800.833.3746 | esiergo.com