

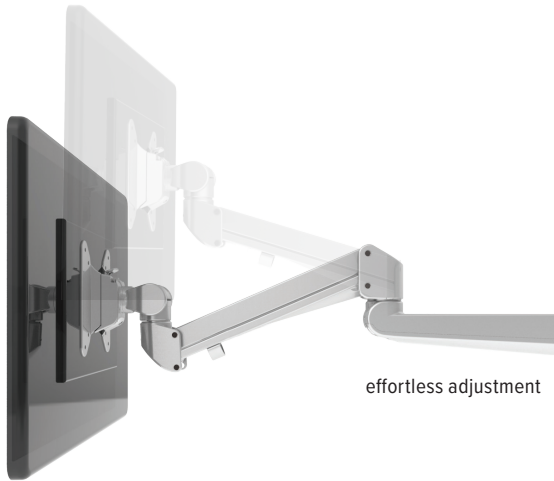


Evolve2-MS

dual motion + slider monitor arm

Evolve2-MS

dual motion + slider monitor arm



effortless adjustment



cable management



landscape/portrait rotation



grommet mount



desk clamp



integrated allen key storage



VESA quick release

Product specs

- Finger touch dynamic height adjustment
- Recommended for worksurfaces 24.0"–30.0" deep
- 16.3" arm extension
- 6.5" arm retraction
- +80°/-60° monitor tilt
- ±90° VESA rotation
- 4.4 lbs.–15.4 lbs. weight capacity (*per arm*)
- 18.0" pole height
- VESA quick release
- 180° lock-out feature
- Desk clamp and grommet mount included
- 28.0" max. monitor width (*bezel measured left to right*)
- Patented slider design for exclusive ESI use
- Exceeds BIFMA x5.5 requirements
- Warranty 15 yr.



Model

List price

<input type="radio"/> EVOLVE2-MS-SLV	\$819
<input checked="" type="radio"/> EVOLVE2-MS-BLK	\$819
<input type="radio"/> EVOLVE2-MS-WHT	\$819

Evolve monitor arm key

F - Fixed monitor arm

M - Motion monitor arm

S - Slider mount

Evolve for every need

- As workstation needs change, so can the Evolve configurations. Additional components sold separately.
- Benching system mount(s) available.

Call our Customer Service Department for compatibility and pricing for custom configurations.

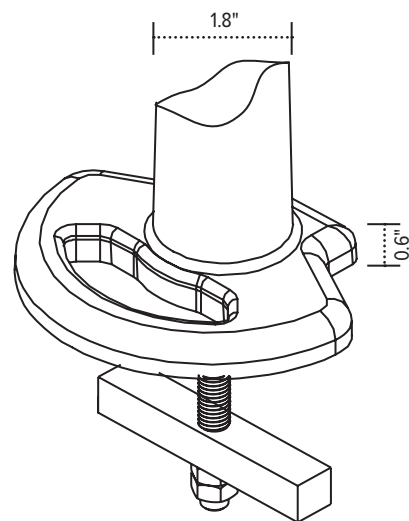
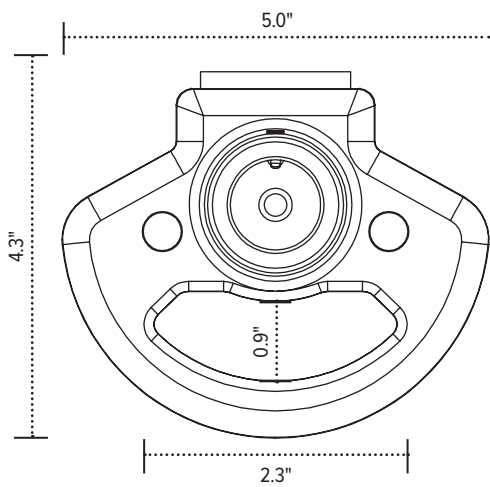
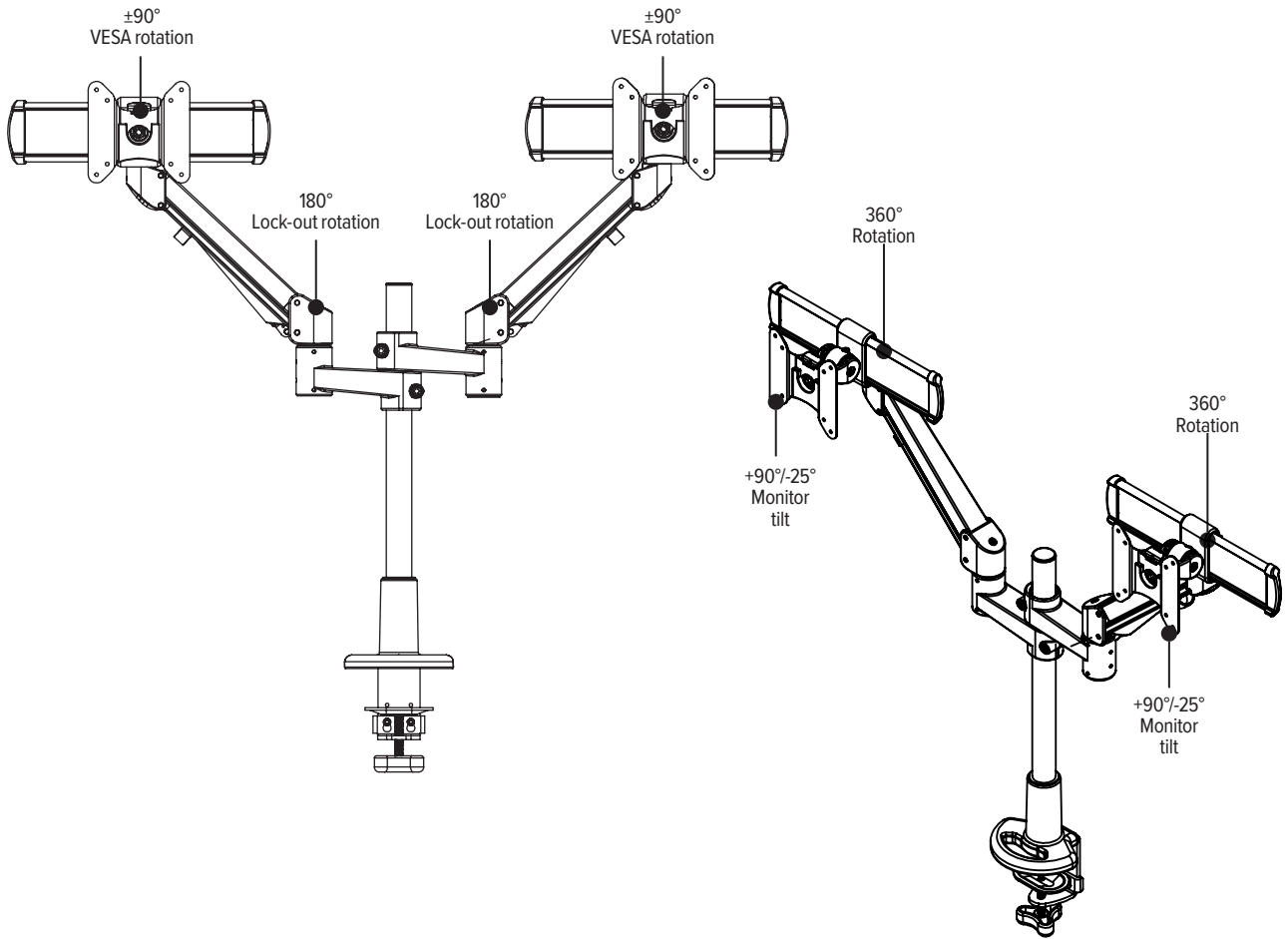
esi

800.833.3746
esiergo.com



Evolve2-MS

dual motion + slider monitor arm



esi

800.833.3746
esiergo.com