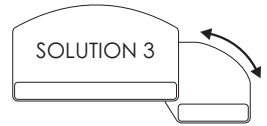


## Solution 3

ARTICULATING ARM and  
KEYBOARD PLATFORM

Model SOLUTION 3

SOLUTION 3 Rev A 4/17



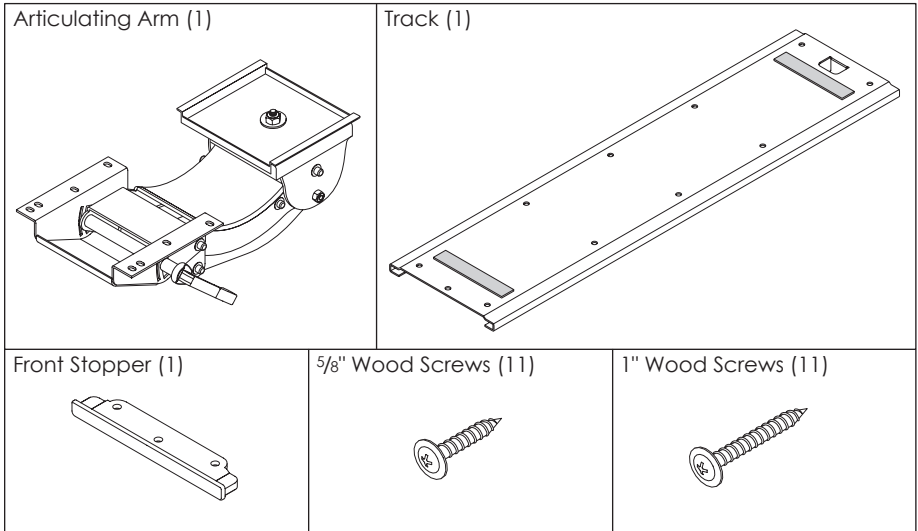
# INSTALLATION AND USE

## SOLUTION 3

**PLEASE REVIEW** these instructions before beginning the installation. Check that all parts needed were provided with your order. Contact your supplier if any parts are missing. Do not discard the packaging until satisfied that the product operates to your satisfaction.

Solution 3 combines the AA360 articulating arm with the PL215 keyboard platform. In this instruction booklet, installation of the two products will be explained in sequence, beginning with the AA360.

### AA360 PARTS PROVIDED



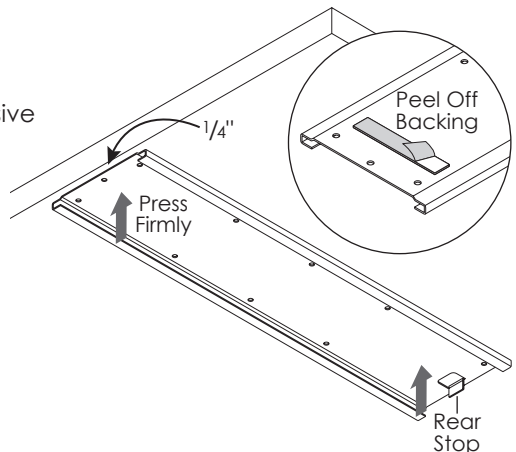
**CAUTION:** This install requires a power tool or cordless drill. This is **not** a handtool install.

### ADDITIONAL TOOLS REQUIRED

- Drill (For Track Installation Only) • #2 Phillips drill bit
- 1/8" drill bit

### STEP 1: Adhere Track

- Peel the backing from the adhesive strips on top of the track.
- Adhere the track to the underside of the work surface.
  - Position the front edge of the track 1/4" from the front edge of the work surface.
  - The front of the track is the end with three holes.
- Press the track firmly in place.

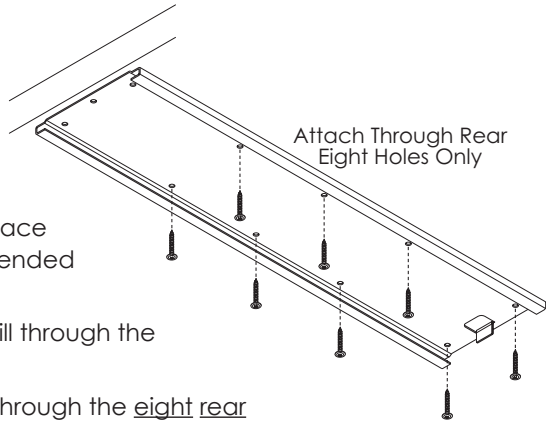


**STEP 2: Attach Track**

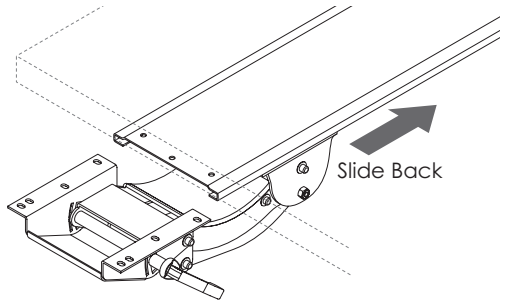
- Drill  $\frac{1}{8}$ " pilot holes through all 11 holes in the track.
  - Drill the holes  $\frac{5}{8}$ " deep or 1" deep, depending on which wood screws will be used. (A minimum work surface thickness of  $1\frac{1}{2}$ " is recommended for the 1" screws.)

**CAUTION:** Be careful not to drill through the work surface.

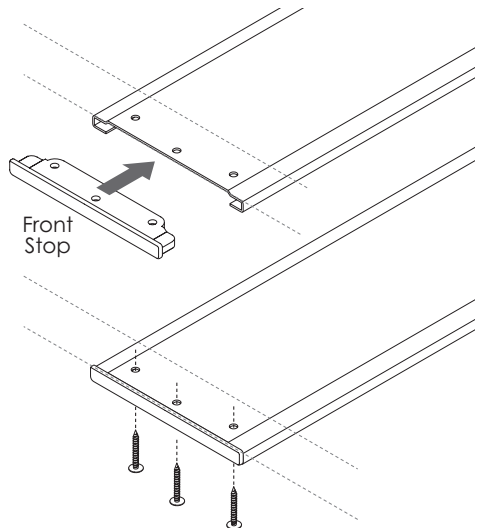
- Attach the track with screws through the eight rear holes only, as shown.

**STEP 3: Install Articulating Arm**

- Slide the articulating arm onto the track. Position it back far enough so that you have access to the front three holes on the track.

**STEP 4: Attach Front Stop**

- Position the front stop onto the front of the track and secure it with the final three wood screws.



Begin keyboard installation with STEP 5 on page 4.

## SOLUTION 3

The PL215 keyboard platform features a swivel mouse pad that can be attached to either the left or right side.

### PL215 PARTS PROVIDED

Keyboard Platform (1) 		Palm Rest (2)  1 Each for Keying and Mousing	
Flathead Screw (4)  #8-32x1/2	Flange Nut (4)  #8x32	Panhead Screw (4)  #8-32x5/8	Cord Clips (2) 

**CAUTION:** Hand-tighten screws only. Do **not** use power tools.

### ADDITIONAL TOOLS REQUIRED

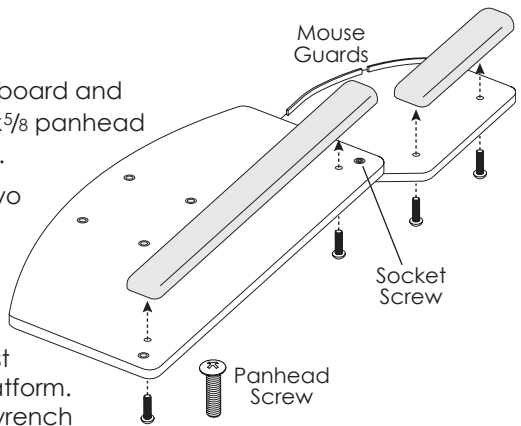
- Phillips screwdriver
- $\frac{1}{8}$ " Allen key (if changing mouse sides)
- $\frac{3}{8}$ " wrench.

### STEP 5: Attach Palm Rests

- Attach the palm rests to the keyboard and mouse platforms. Use the #8-32x $\frac{5}{8}$  panhead screws and a Phillips screwdriver.

— Attach each palm rest with two screws, as shown.

**NOTE:** The right-side mouse platform can be switched to the left side. First, remove the mouse guards. Then uninstall the palm rest from the mouse and keyboard platform. Using a  $\frac{1}{8}$ " Allen key and a  $\frac{3}{8}$ " wrench remove the screw and Acorn nut holding the mouse platform. Turn the mouse platform and re-install the mouse guards and mouse platform on the left side. Then install the palm rests.

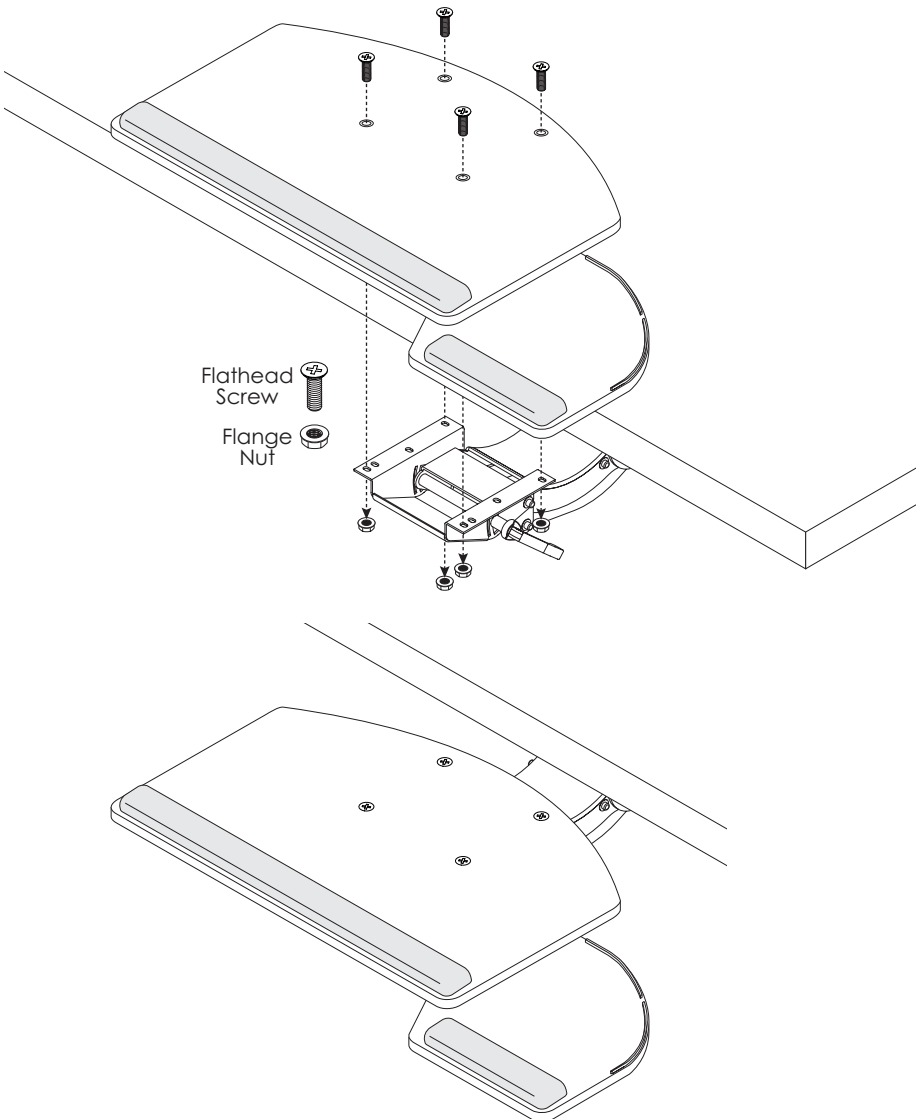


### STEP 6: Attach Keyboard Platform

- Attach the keyboard platform to the keyboard arm and track assembly using the four flathead screws and flange nuts.

— Be sure the flange on the nuts is facing upward.

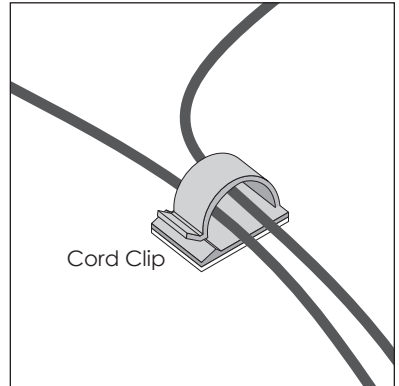
**IMPORTANT:** The flange nuts must be fully tightened to ensure the nuts are locked. Use a Phillips screwdriver.



## SOLUTION 3

### STEP 7: Manage Cables

- Adhere cord clips to the underside of the keyboard platform as needed to organize the keyboard and mouse cables.



### OPERATION

#### **To Raise or Lower Keyboard:**

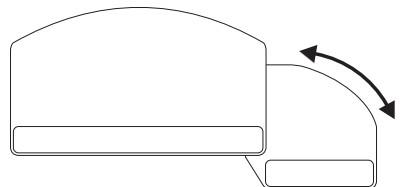
- Tip the platform up to unlock.
- Move the platform to the desired height.
- Release the platform to lock it in place.

#### **To Set Tilt Angle:**

- Unlock the quick release handle on the right side of the arm.
- Adjust the tilt angle to the desired position.
- Lock the quick release knob.

#### **To Use the Mouse Platform:**

- Swivel the mouse platform outward to access it.
- Swivel the mouse platform under the keyboard platform to conceal it.





800.833.3746 | [esiergo.com](http://esiergo.com)