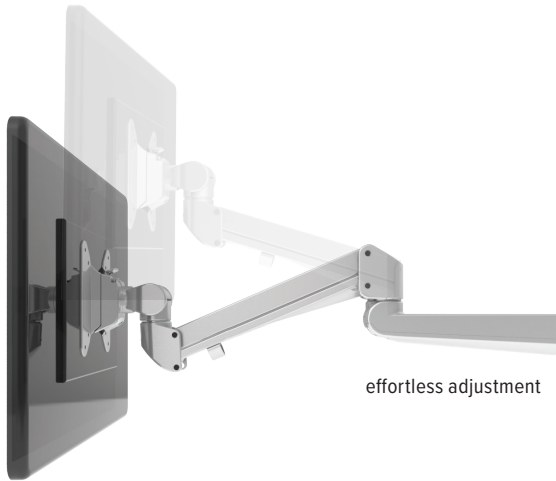


# Edge2<sup>®</sup>

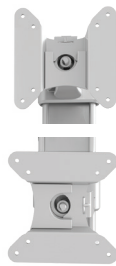
dual monitor arm



effortless adjustment



cable management



landscape/portrait rotation



grommet mount



desk clamp



integrated allen key storage



VESA quick release

### Product specs

- Finger touch dynamic height adjustment
- Recommended for worksurfaces 30.0" deep or corner applications
- 12.0" height adjustment range
  - 7.0"–19.0" (low/high)
- 22.0" arm extension
- 4.0" arm retraction
- $\pm 90^\circ$  monitor tilt
- $\pm 90^\circ$  VESA rotation
- 6.5 lbs.–17.6 lbs. weight capacity (*per arm*)
- VESA quick release
- 180° lock-out feature
- Desk clamp and grommet mount included
- 32.0" max. monitor width (*bezel measured left to right*)
- Exceeds BIFMA x5.5 requirements
- Benching system mount(s) available. Call the Customer Service Dept for details
- Warranty: 15yr.

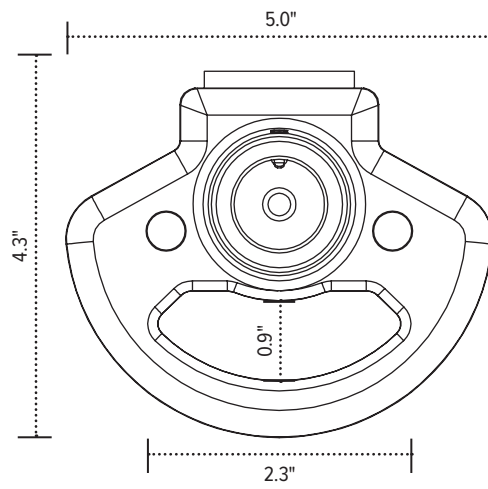
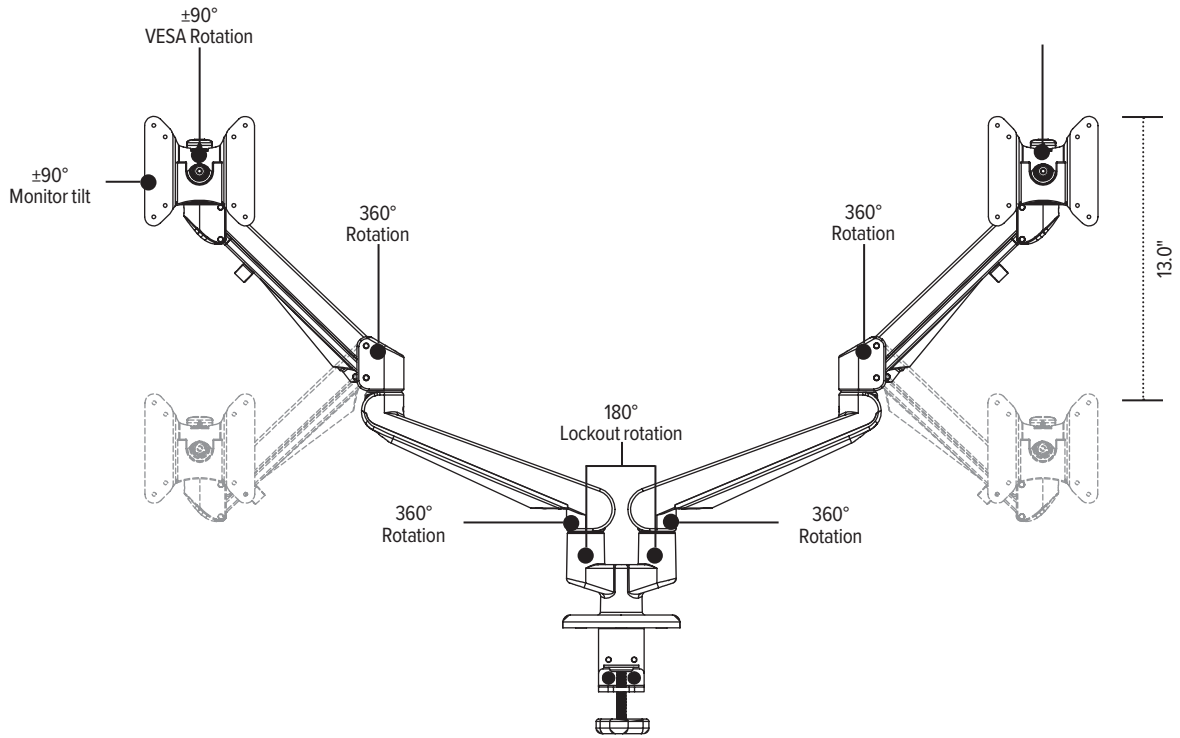


### Model #

- EDGE2-SLV
- EDGE2-BLK
- EDGE2-WHT

# Edge2

## dual monitor arm



esi

800.833.3746  
esiergo.com