

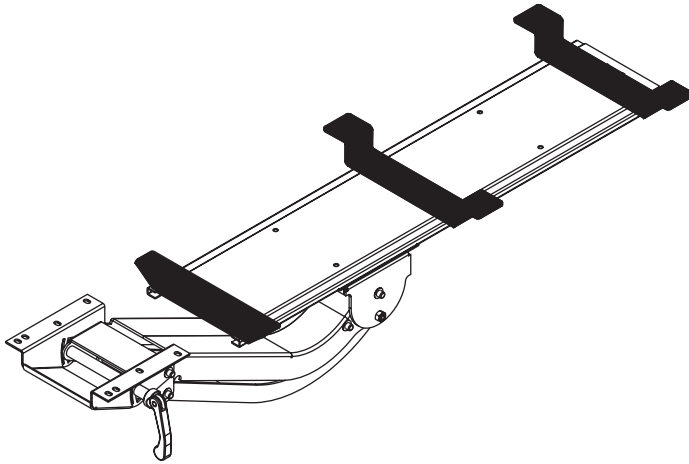
Spacer Kit

Glide track accessory

Spacer Kit

Glide track accessory

esi



example of how you can add a spacer kit to an existing articulating arm

Product specs

Ideal for height adjustable tables and benching systems, the Spacer-Kit creates a flat mounting surface for keyboard arms and glide tracks where cross channels typically prevent installation.

- Compatible with most ESI keyboard arms and glide tracks*
- Attaches between underside of worksurface and a keyboard arm or glide track
- Includes mounts for benching systems and Height adjustable tables
- Powder coated steel construction
- Two sets of spacers included to accommodate needed spacing between 1.0"–2.2"
- Includes installation hardware
- Warranty: 15 years



Model #	List price
SPACERKIT-KBD	\$70

*NOT COMPATIBLE WITH CPULOCK