



Edge[®]-Max-Dual-Kit

Monitor arm conversion kit

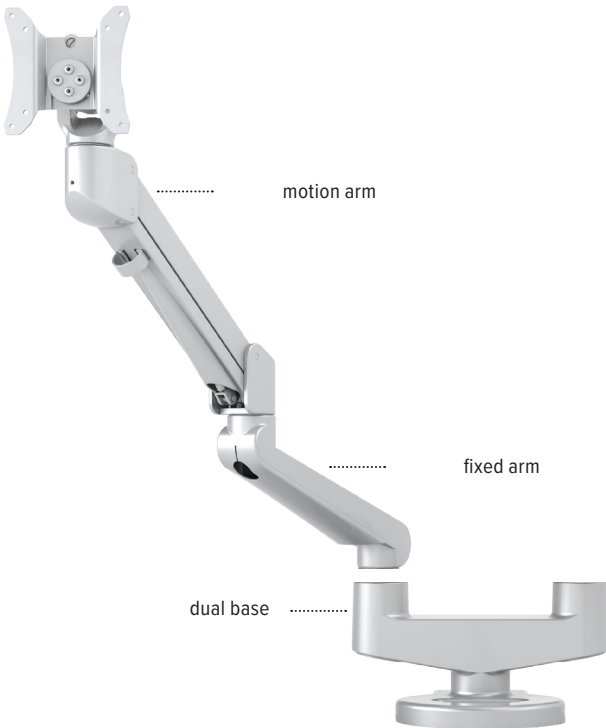


Edge-Max-Dual-Kit

Monitor arm conversion kit

esi

Kit includes:



grommet mount



clamp mount

Product specs

Converts an existing Edge-Max single monitor arm to the Edge-Max-Dual monitor arm

- Kit includes:
 - One fixed arm
 - One motion arm
 - One dual base
 - One clamp mount
 - One grommet mount
- Finger touch dynamic height adjustment
- Weight capacity counterbalanced for heavy monitors and all-in-one computers
- 13.8" height adjustment range
 - 9.5"–23.3" (low/high)
- 24.4" arm extension
- 5.2" arm retraction
- +85°/-35° monitor tilt
- ±90° VESA rotation
- 17.6 lb.–42.0 lb. weight capacity (*per arm*)
- VESA 75mm/100mm quick release
- 180° lock-out feature
- 360° rotation at three points
- Meets or exceeds BIFMA x5.5 and CSA CAN/CGSB44.227 guidelines
- 40.0" max. monitor width
*Bezel measured left to right.
Max. width is contingent on weight capacity.*
- Warranty: 15 yr.

Model

EDGE-MAX-DUAL-KIT

Edge-Max-Dual-Kit

Monitor arm conversion kit

esi

