

PL200

KEYBOARD PLATFORM

Model PL200

PL200 Rev A 4/17

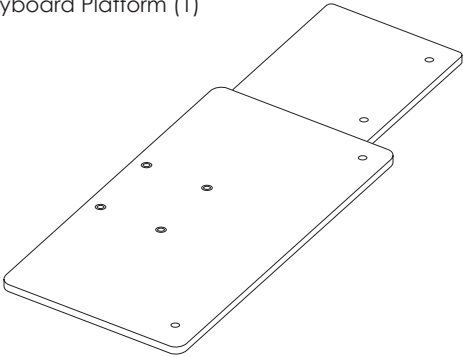
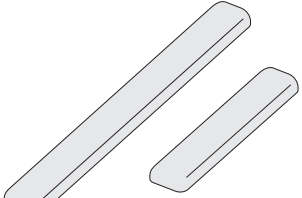



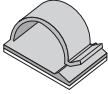


INSTALLATION AND USE

PL200 KEYBOARD PLATFORM

PLEASE REVIEW these instructions before beginning the installation. Check that all parts needed were provided with your order. Contact your supplier if any parts are missing. Do not discard the packaging until satisfied that the product operates to your satisfaction.

PARTS PROVIDED

Keyboard Platform (1) 		Palm Rest (2)  1 Each for Keying and Mousing	
Cap Nut (4) 	Lock Washer (4) 	Flat Washer (4) 	Cord Clips (2) 

CAUTION: Hand-tighten screws only. Do **not** use power tools.

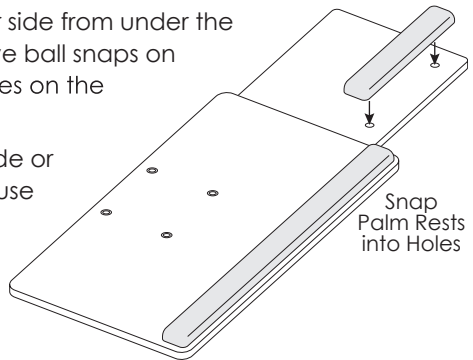
ADDITIONAL TOOLS REQUIRED

- Wrench or pliers

STEP 1: Attach Palm Rests

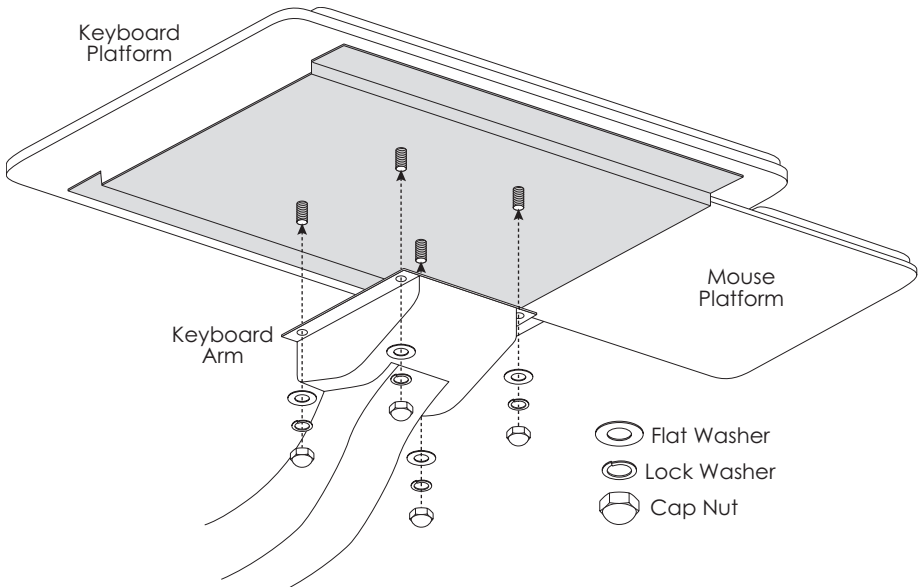
The mouse platform slides out to either side from under the keyboard platform. The palm rests have ball snaps on the bottom for press-fitting into the holes on the platforms.

- Determine user preference for left-side or right-side mousing, and slide the mouse platform out to that side.
- Snap the palm rests into the holes on the keyboard and mouse platforms.



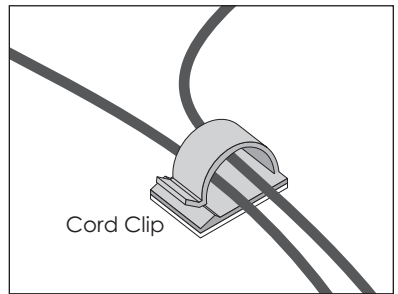
STEP 2: Attach Keyboard Platform

- Fit the four screws protruding from the bottom of the keyboard platform into the holes on the keyboard arm.
- Secure the keyboard platform using the flat washer, lock washer, and cap nut, as shown. Tighten the cap nut with a wrench or pliers.



STEP 3: Manage Cables

- Adhere cord clips to the underside of the keyboard platform as needed to organize the keyboard and mouse cables.



TO OPERATE THE KEYBOARD ARM, follow the instructions on the keyboard arm or the instructions included with the installation procedures for the product.



800.833.3746 | esiergo.com