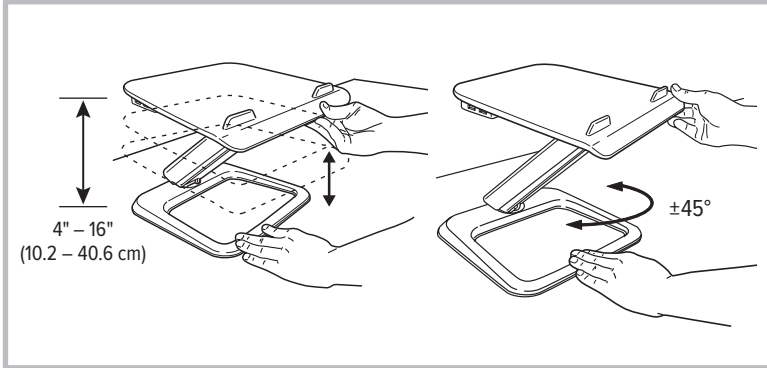
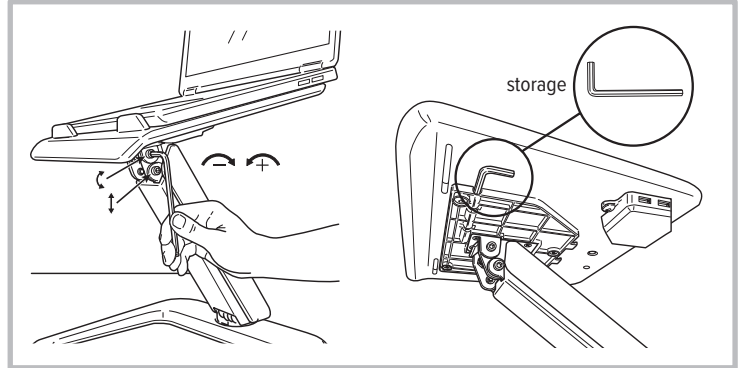


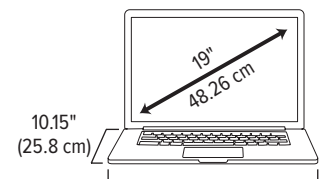
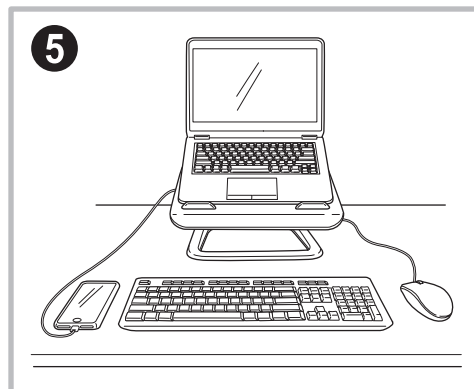
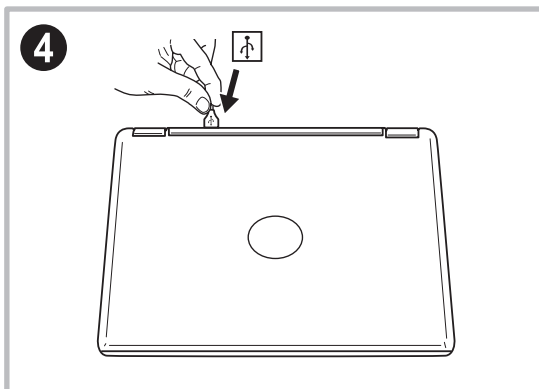
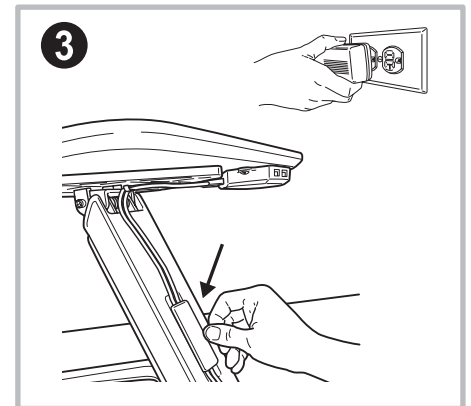
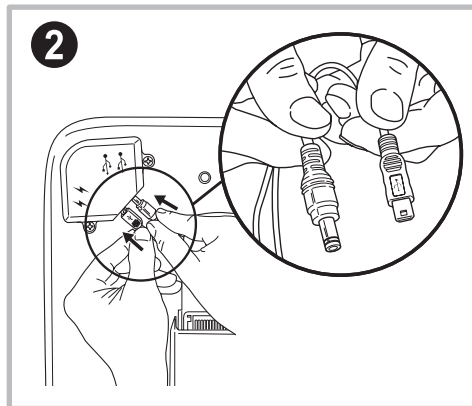
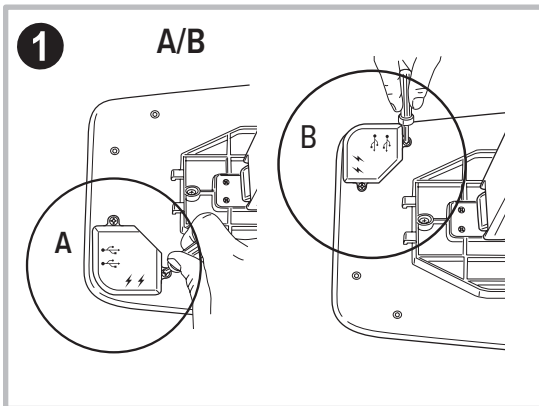
## Height and swivel adjustment



## Tension adjustment



## Connections



### WARNING:

- Do not exceed stated maximum weight capacity. Serious injury or property damage may occur.
- Do not attempt to disassemble or repair USB hub.
- Do not use product as a step stool or chair.



# Hana™ – LTS

## Laptop support

Please contact Customer Service with any questions or comments at 800.833.3746 or visit our website at [esiergo.com](http://esiergo.com)

### **FCC**

This device complies with part 15 & 18 of the FCC Rules. Operation is subject to the following two conditions:

1. This device may not cause harmful interference.
2. This device must accept any interference received, including interference that may cause undesired operation.

### **W.E.E.E.**

This product is classified as Electrical and Electronic Equipment. Should the time come for you to dispose of this product please ensure that it is not mixed with general household waste. For proper treatment, recovery and recycling, please take this product to a designated collection point. Please contact your local authority for further details of your nearest designated collection point.