



Climb

single monitor arm sit-to-stand workstation



lowered



raised

Product specs

- Pneumatic height adjustment
- Clamps to the back of a straight edge worksurface
- 6.0" of clearance is needed underneath worksurface for clamp
- Flexible positioning along the vertical column and horizontally on with the articulating arm
- 25 lbs. platform weight capacity
- 17.2" column height adjustment range
- 27.0"w x 10.4"d top platform
- 26.5"w x 10.5"d keyboard platform
- 30.0" max. worksurface depth
- Top platform includes grommet hole for cable management
- Keyboard platform includes palm rest
- Palm rest can be positioned on left or right side of keyboard platform
- Partial assembly required
- Single monitor arm integration
 - 11.3" monitor mount height range
 - 13.8" motion arm height range
 - 20lbs. max. monitor weight
 - Monitor can be rotated for portrait or landscape orientation
- Conversion grommet mount sold separately
- Warranty: 3 yrs.

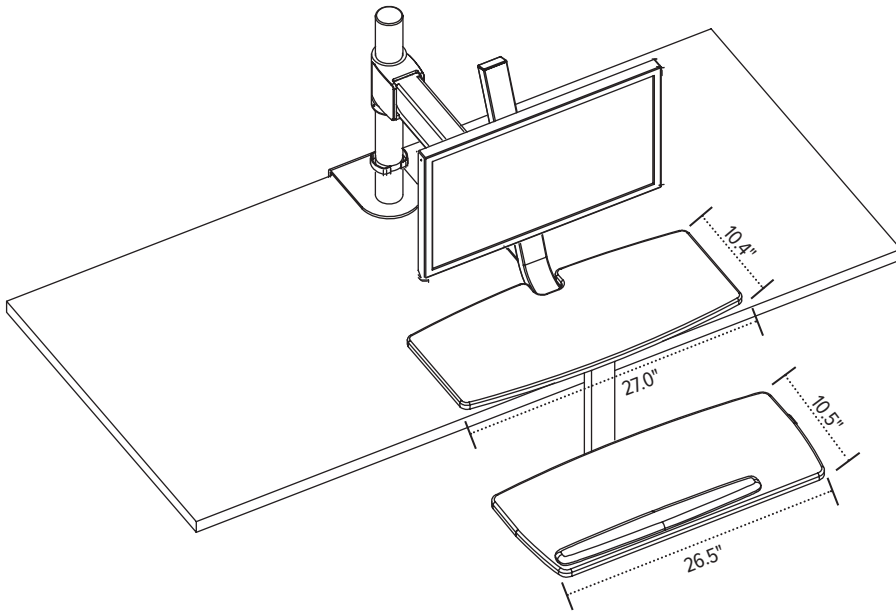


Model

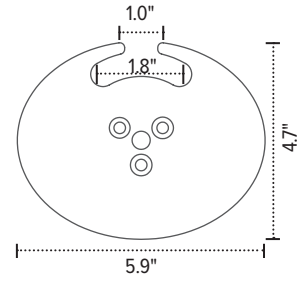
- CLIMB1-SLV
- CLIMB-GM-SLV *Grommet Mount*

Climb

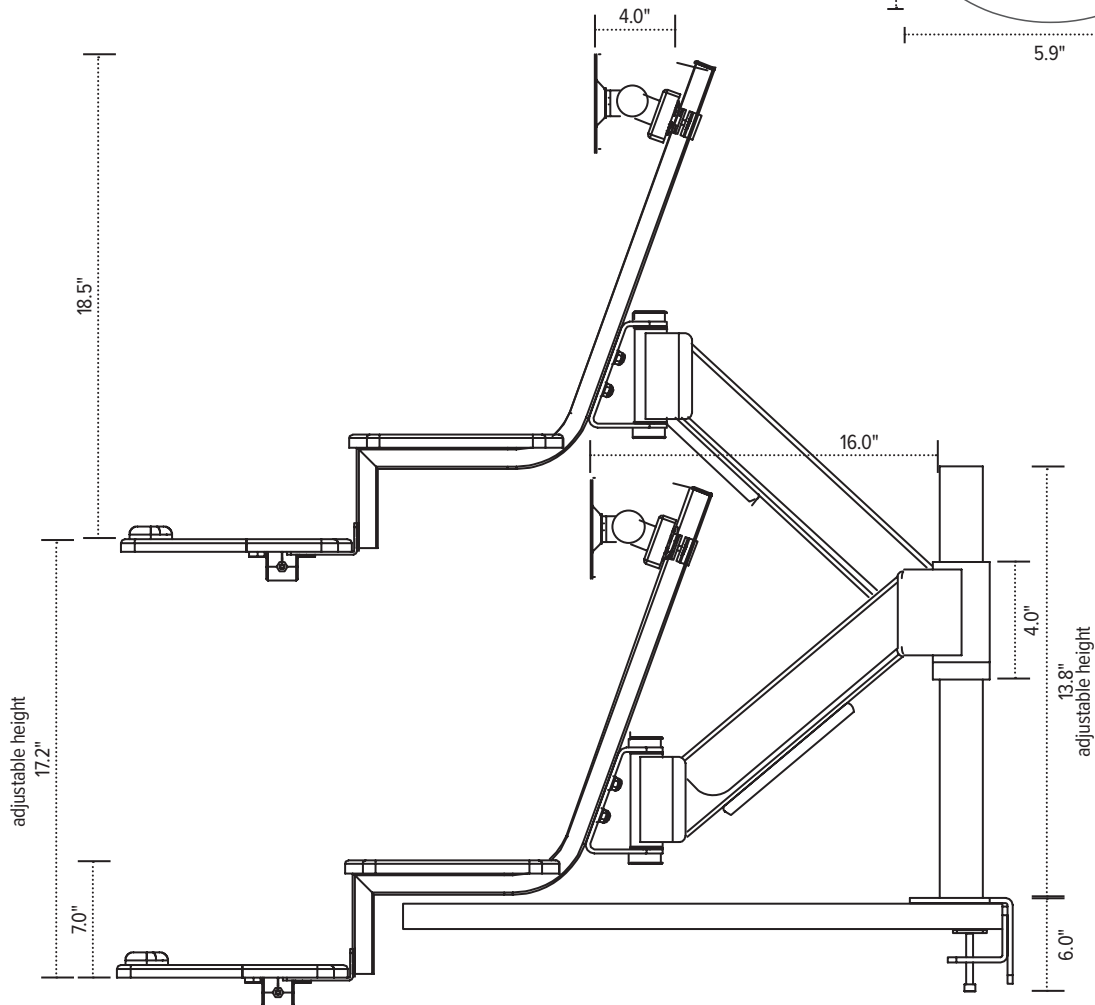
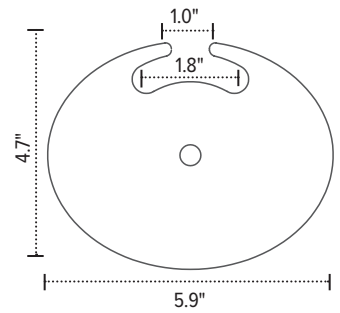
single monitor arm sit-to-stand workstation



Top grommet mount plate



Bottom grommet mount plate



esi

800.833.3746
esiergo.com