

Eppa2™  
dual monitor arm

# Eppa2

## dual monitor arm



Monitors can pivot from portrait to landscape orientation easily.  
Arms have wide range of motion.



VESA mounts tilt up and down,  
providing a flat writing surface for  
touch screen monitors



Clip-on tool storage

### Product specs

---

- Finger touch dynamic height adjustment
- 10.5" height adjustment range
  - 5.5"–16.0" (low/high)
- 21.2" arm extension
- 4.0" arm retraction
- +90°/-25° monitor tilt
- ±90° VESA rotation
- ±90° monitor swivel stop
- 2.2 lbs.–17.6 lbs. weight capacity (*per arm*)
- VESA quick mount
- Desk clamp and grommet mount included
- 39.0" max. monitor width  
(*bezel measured left to right*)
- Fixed and motion arms included
- Capable to swivel between portrait and landscape orientation
- Exceeds BIFMA x5.5 requirements
- Gas spring - finger touch adjustment
- Aluminum and steel design
- Partially assembled for quick installation
- Integrated cord management
- Grommet hole integrated in base to easily route cables
- Clip-on tool holder attaches to base bracket keeping hex keys accessible
- Available conversion kit adjusts a single arm Eppa to a dual arm
- Warranty: 10 yrs.

### Model #

---

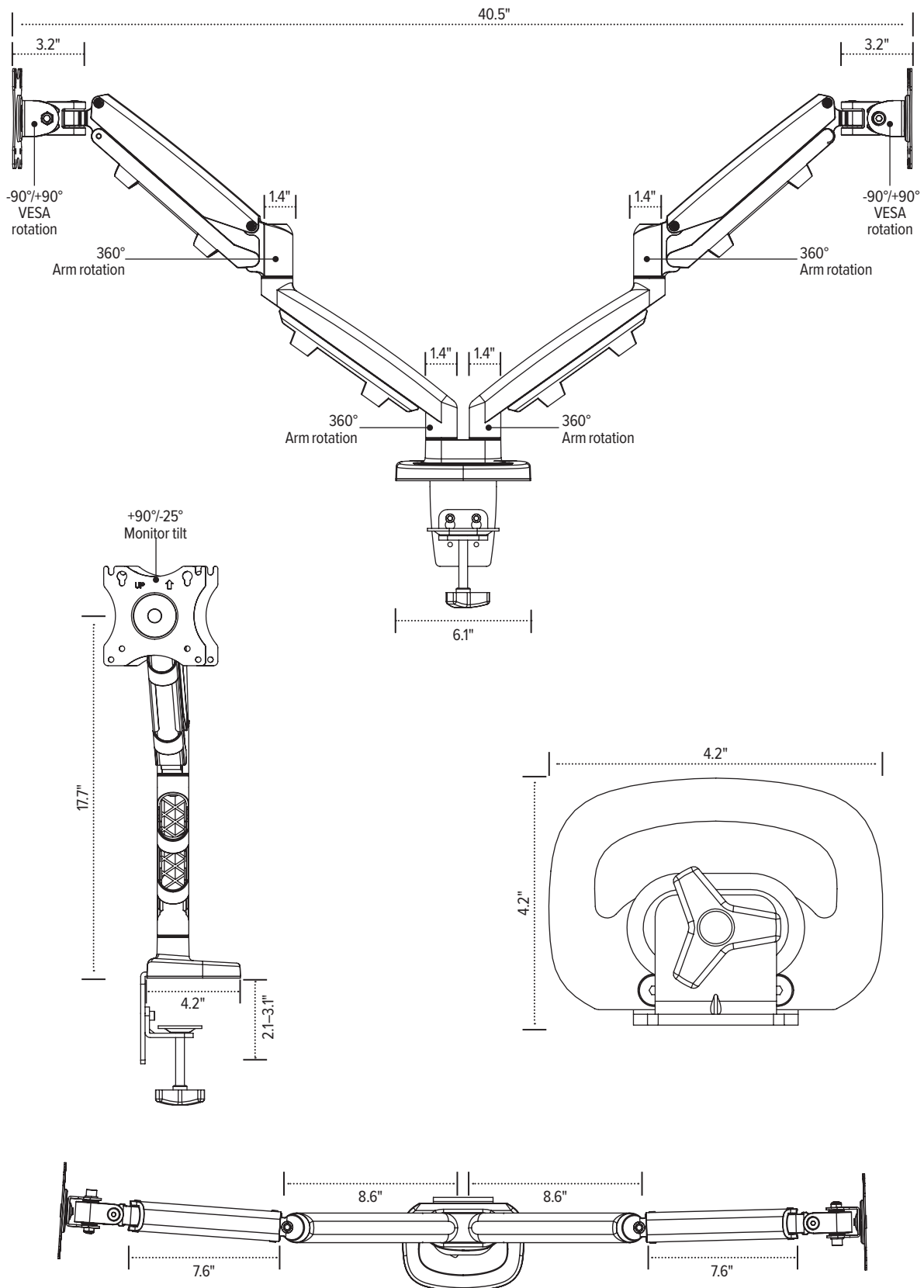
EPPA2-SLV

esi

800.833.3746  
esiergo.com

# Eppa2

## dual monitor arm



esi

800.833.3746  
esiergo.com