

# Kata™ slider mount

VESA slider

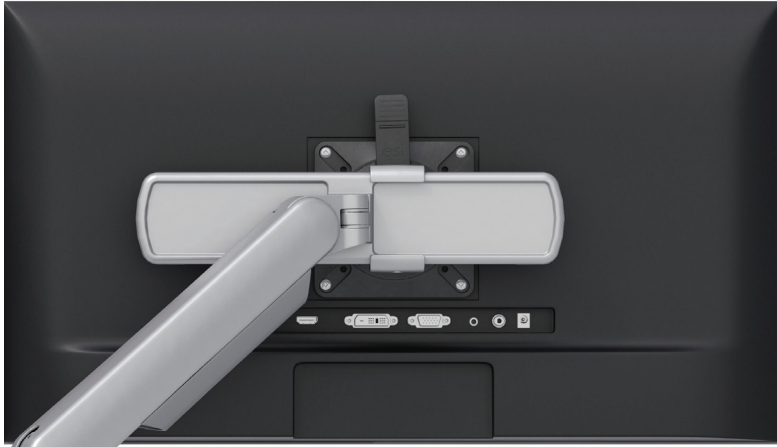


# Kata slider mount

VESA slider



esi



## Product specs

---

- 9.5" adjustment from left to right
- Retrofits with the Kata™ and Kata™EX series
- Not compatible with the Eppa™, Edge®, Evolve, or Edge-Max series
- Adds an additional 1.2 lb.
- Patented design for exclusive ESI use
- Warranty: 15 yr.

## Model #

---

## List price

<input type="radio"/> KATA-SLD-SLV	\$160
<input checked="" type="radio"/> KATA-SLD-BLK	\$160
<input type="radio"/> KATA-SLD-WHT	\$160

# Kata slider mount

VESA slider

esi

