

Kata™ slider mount

VESA slider

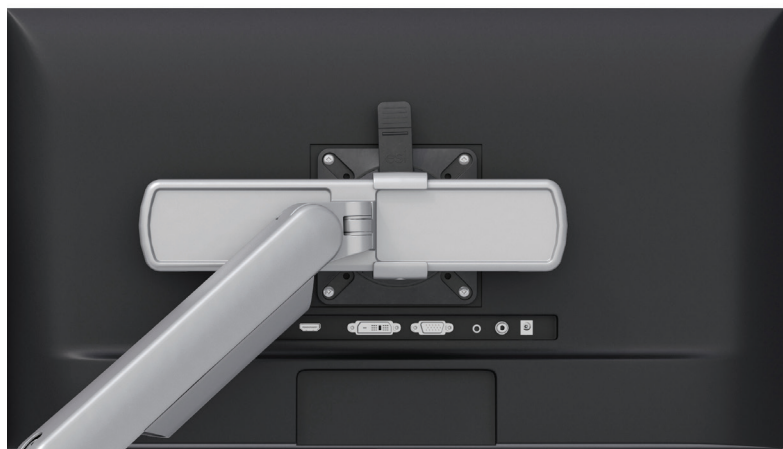


Kata slider mount

VESA slider



esi



Product specs

- 9.5" adjustment from left to right
- Retrofits with the Kata™ and Kata™EX series
- Not compatible with the Eppa™, Edge®, Evolve, or Edge-Max series
- Adds an additional 1.2 lb.
- Patented design for exclusive ESI use
- Warranty: 15 yr.

Model

- KATA-SLD-SLV
- KATA-SLD-BLK
- KATA-SLD-WHT

Kata slider mount

VESA slider

esi

