



Kata™ EX1-FF

Single fixed + fixed monitor arm

KataEX1-FF

Single fixed + fixed monitor arm



tension adjustment



integrated tool storage



grommet mount



desk clamp



connection sleeve

Product specs

- Manual height adjustment
- Recommended for worksurfaces 36.0" deep or less
- 31.7" arm extension
- 7.1" arm retraction
- +90°/-45° monitor tilt
- ±90° VESA rotation
- Up to 20.0 lb. weight capacity
- 16.0" pole height (includes base)
- VESA 75mm/100mm quick release
- 180° lock-out feature
- Specify a grommet mount or a desk clamp mount
- Tension adjustment indicator for precision installation
- Each connection sleeve can accommodate up to three monitors depending on the configuration
- Partially assembled for quick installation
- Integrated cord management
- Integrated tool holder
- Meets or exceeds ANSI/BIFMA x5.5 guidelines
- Designed for ESI by Roger Webb Associates of London
- Warranty: 15 yr.

Model #	List price
○ KATAEX1-DC-FF-SLV	\$406
● KATAEX1-DC-FF-BLK	\$406
○ KATAEX1-DC-FF-WHT	\$406
○ KATAEX1-GM-FF-SLV	\$406
● KATAEX1-GM-FF-BLK	\$406
○ KATAEX1-GM-FF-WHT	\$406

KataEX monitor arm key Available mounting options

F - Fixed monitor arm	DC - Desk clamp
M - Motion monitor arm	GM - Grommet mount
S - Slider mount	

KataEX for every need

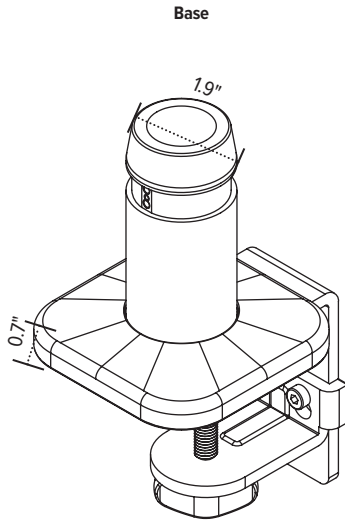
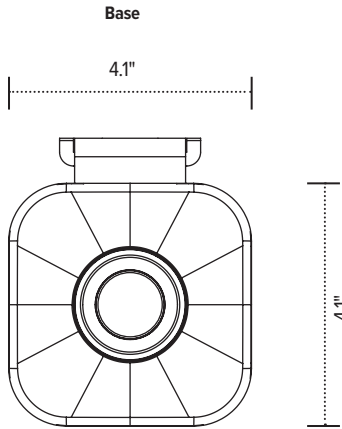
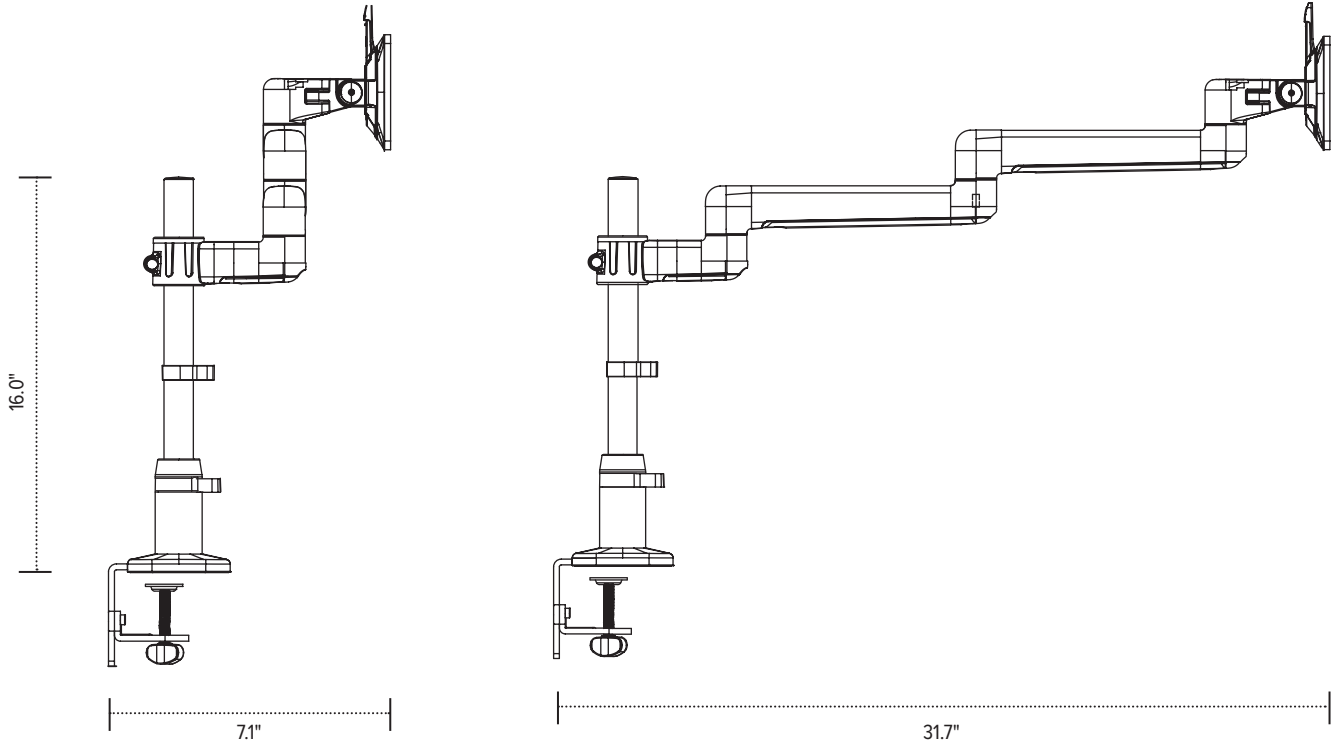
- As workstation needs change, so can the KataEX configurations. Additional components sold separately
- Benching system mount(s) available

Call our Customer Service Department for compatibility and pricing for custom configurations.

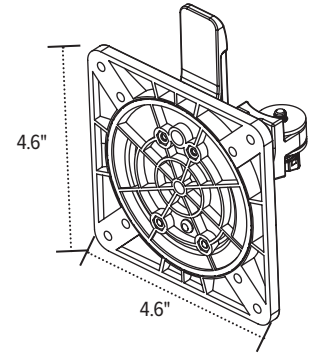
KataEX1-FF

Single fixed + fixed monitor arm

esi



VESA plate



VESA mount
Profile view

