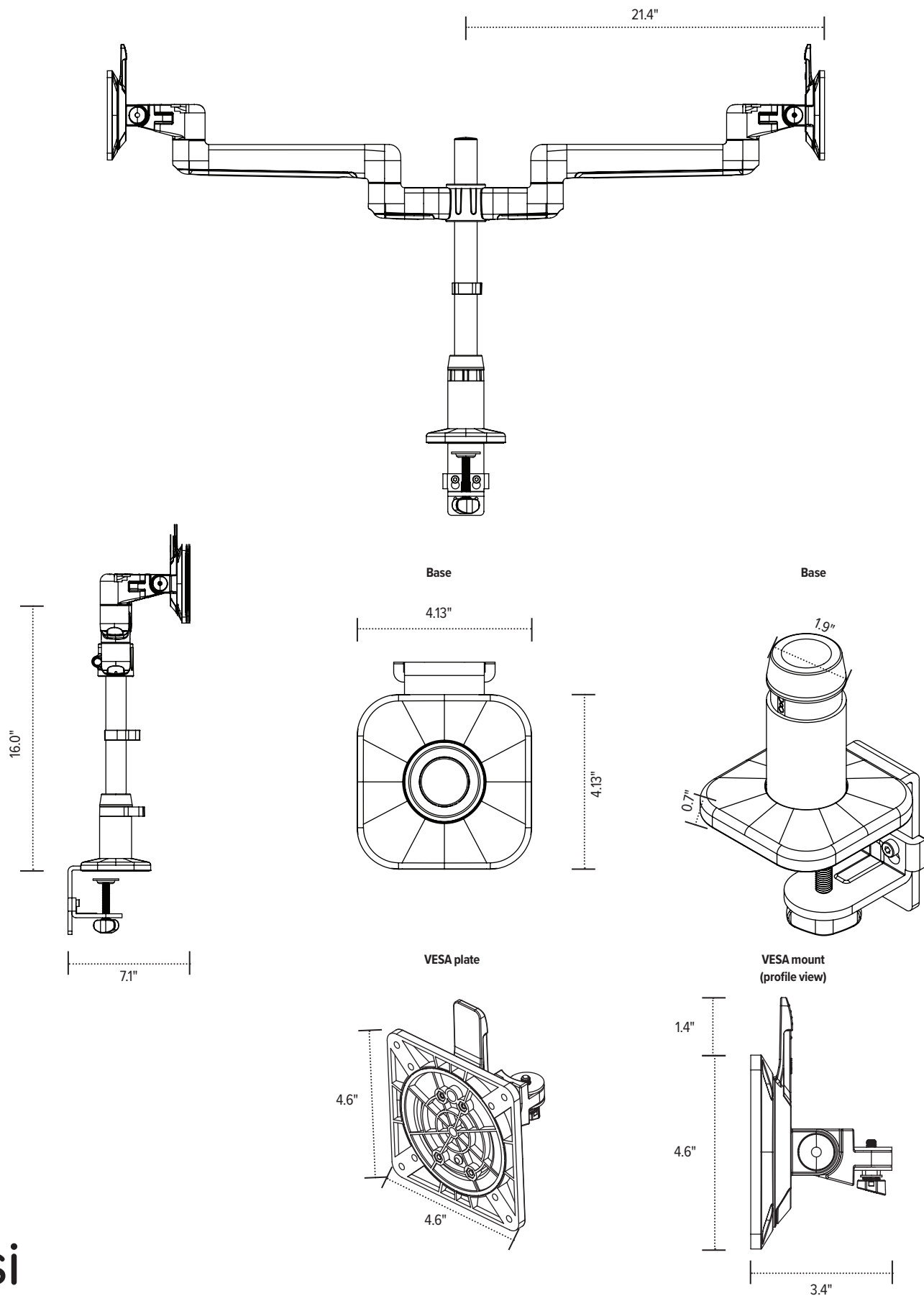


# Kata™ EX2-F

Dual fixed monitor arm



esi

800.833.3746  
esiergo.com