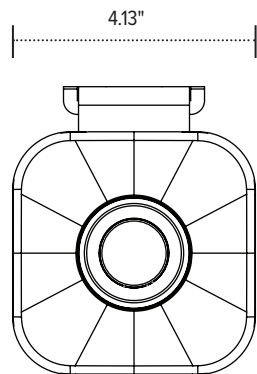
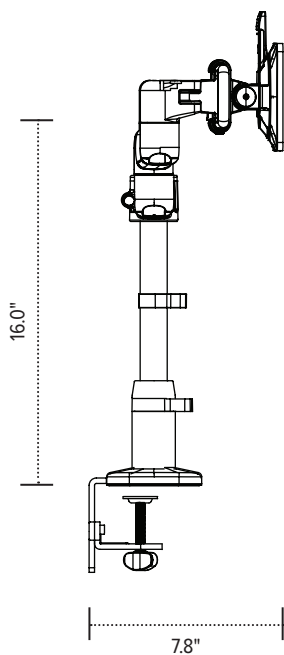
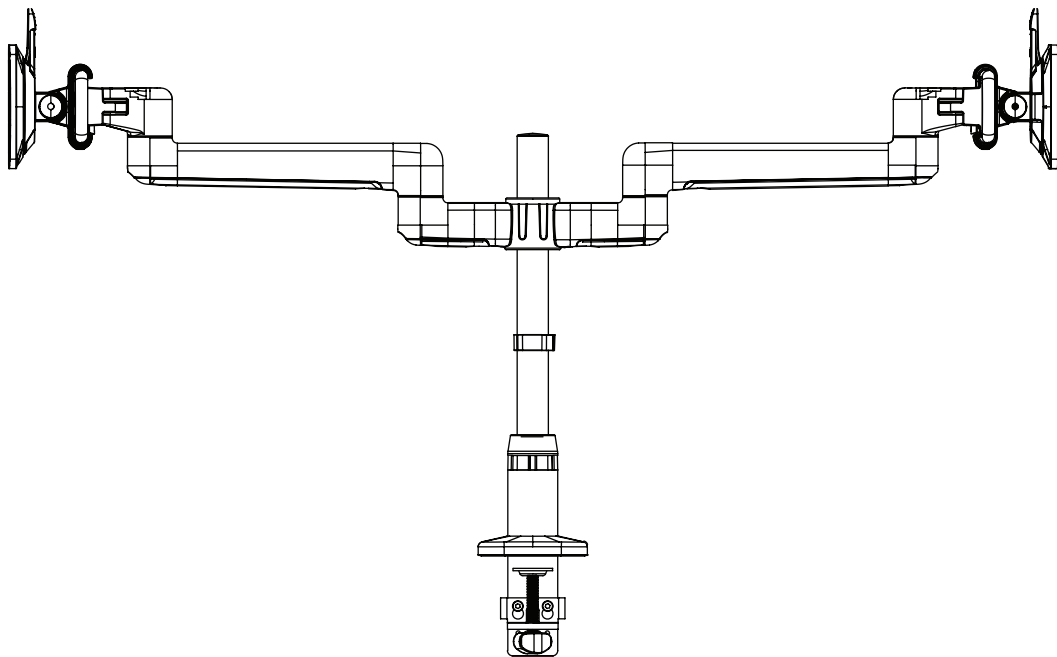
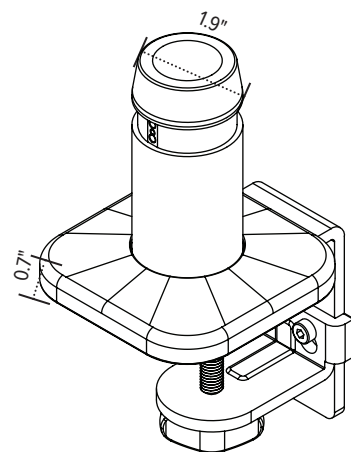


Kata™ EX2-FS

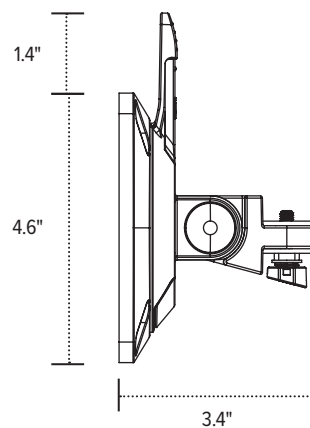
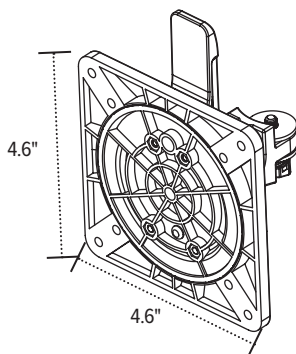
Dual fixed + slider monitor arm



VESA plate



VESA mount
(profile view)



esi

800.833.3746
esiergo.com