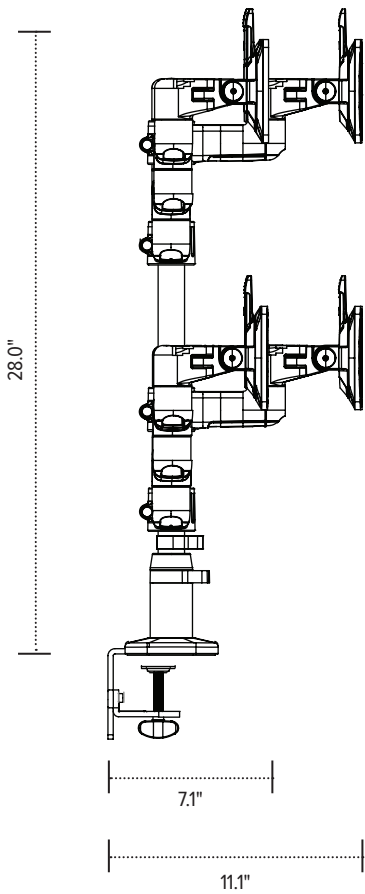
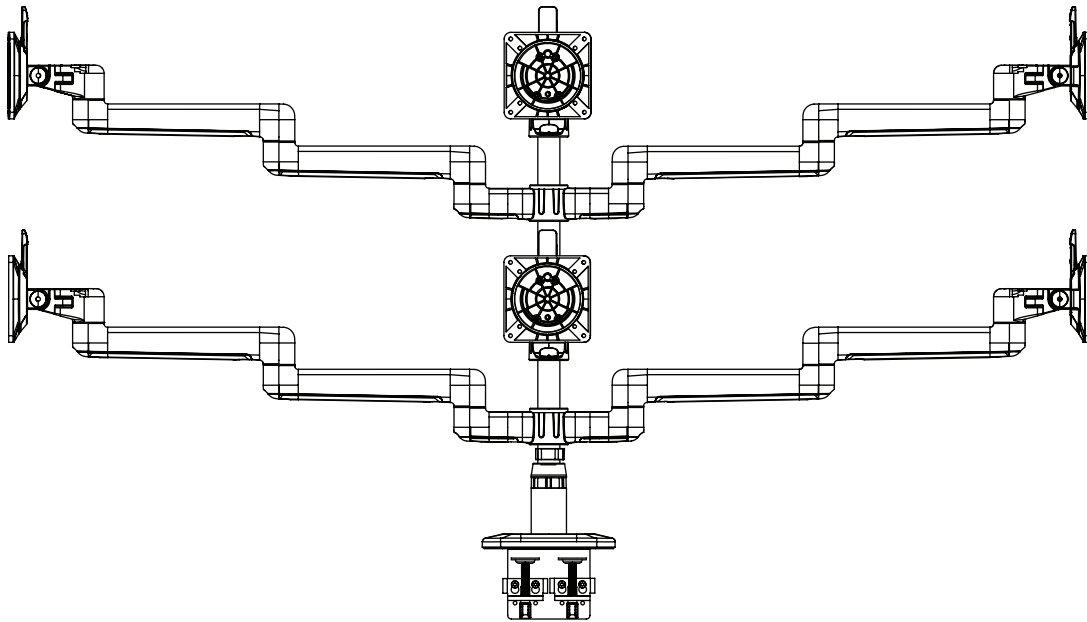


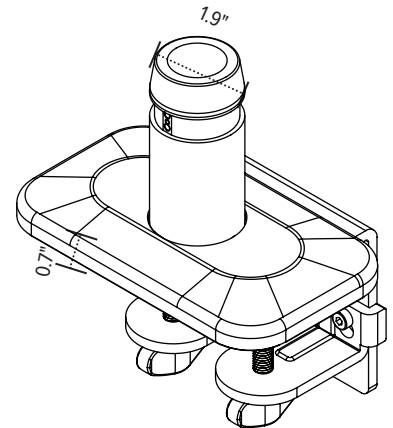
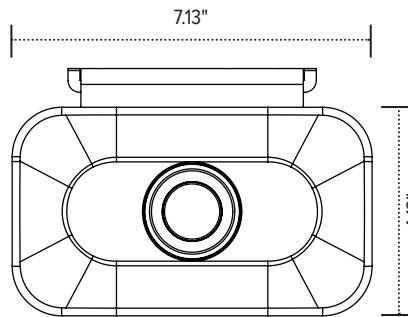
Kata™ EX6-FF

Six fixed + fixed monitor arm



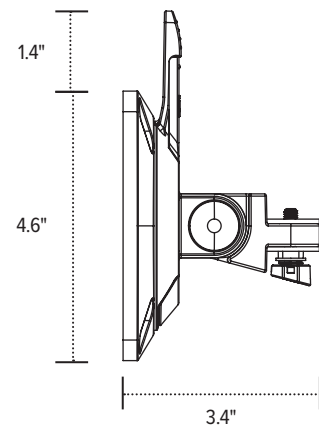
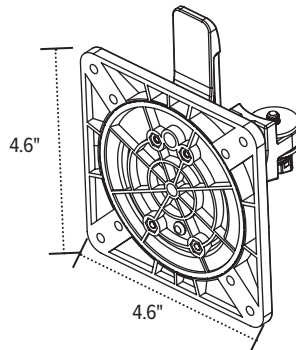
Base

Base



VESA plate

VESA mount
(profile view)



esi

800.833.3746
esiergo.com